

Sanitary / SS Products



SUPPORT YOUR LOCAL BUSINESSES!

PITANCO

PRECISION

ISO 9001



www.pitancoprecision.com

191 Brossard, Delson, Quebec J5B 1W9

450 638-5220 • 1 866-688-5220

info@pitancoprecision.com

TABLE OF CONTENTS

Sanitary / SS Products

SANITARY FITTINGS

CLAMPS & GASKETS

Clamps model CL-HD & model CL-HD-SW	series #13MHHM	Page R1
Clamps model CL13MHP	series #13MHP	Page R2
Gaskets model G-CS & model G-EPDM	series #40MP/42MP	Page R3
Gaskets model G-BN & model G-FKM	series #40MP/42MP	Page R4
Gaskets model G-PTFE	series #40MP/42MP	Page R5
Flanged gaskets model FG-EPDM	series #40MPF/42MPF	Page R5
Flanged gaskets model FG-CS & FG-BN	series #40MPF/42MPF	Page R6
Clamp gasket – sizing guide		Page R7/R8

BUTT-WELD

Short ferrules model SF	series #14WMP	Page R9
Long ferrules model LF	series #14AMP	Page R9
45° Elbows model EL45	series #B2WK.....	Page R10
90° Elbows model EL90	series #B2WC	Page R10
180° Elbows model EL180	series #B2WUL	Page R11
Crosses model PB9WWWW	series #B9WWWW	Page R11
Concentric reducers model CR31W.....	series #B31W	Page R12
Eccentric reducers model ER32W.....	series #ER32W	Page R13
Short tees model STB7WWW.....	series #B7WWW	Page R13
Long tees model LTB7W.....	series #B7W.....	Page R14
Reducing tees model LTB7RW.....	series #BR7WWW.....	Page R14
Lateral Y'S model YLB28WA.....	series #B28WA.....	Page R15
True Y'S model YB28W.....	series #B28W	Page R15
Adapters model 19WB.....	series #19WB.....	Page R16
Weld neck flanges RF150 model SPW-B38W.....	series #B38W	Page R16
Dome caps model RC	series #B16W.....	Page R17

TRI-CLAMP®

45° Elbows model PFCL45.....	series #B2KMP	Page R18
90° Elbows model PFCL90	series #B2CMP	Page R18
180° Return bends model PFCL180	series #B2WUMP	Page R19
Long tees model LTB7MP.....	series #B7MP.....	Page R19
Concentric reducers model 3114MP.....	series #B3114MP.....	Page R20
Adapters model CA21MP.....	series #21MP	Page R21
Adapters model CAF22MP.....	series #22MP.....	Page R22
Thermometer caps model THCL.....	series #23BMP	Page R23
Adapters model HB14MPHRL.....	series #HB14MPHRL.....	Page R23
Solid end caps model cap	series #16AMP	Page R24

BEVEL SEAT

Short ferrules model SS14PRF	series #14PRF	Page R25
Long ferrules model SS14A	series #14A	Page R25
Short threaded ferrules model SS15TRF.....	series #15TRF	Page R26
Long threaded ferrules model SS15A	series #15A	Page R26
Union hex nuts model BS13H.....	series #13H	Page R27

CAMLOCK

Camlock couplings model CAMA & model CAMB	series CAMA & CAMB	Page R28
Camlock couplings model CAMC & model CAMD	series CAMC & CAMD	Page R29
Camlock couplings model CAMDC & model CAMDP	series CAMDC & CAMDP	Page R30
Camlock couplings model CAME & model CAMF	series CAME & CAMF	Page R31

TABLE OF CONTENTS

Sanitary / SS Products

SANITARY / SS VALVES & RELATED PRODUCTS

Butterfly valves model BV5101TH	series #B5101	Page V1
Seats for butterfly valves		Page V2
Butterfly valves model VP5101	series #VP5101	Page V3
Butterfly valves model VP5101CL	series #VP5101CL	Page V4
Butterfly valves model SU30485SA	series #BV5101CL/SU30485SA	Page V5
Single acting vertical canister actuator & mounting bracket	series SU304085SA.....	Page V6
3 way L port ball valves model BV3W	series #BV3W	Page V7
Mini ball valves model MBVSS25	series #MBVSS25	Page V7
Ball valves model R600	series #R600 & R600HD	Page V8
Ball valves model R602	series #R602	Page V9
Ball valves model R801CL	series #R801CL	Page V10
Repair kits model RKR801.....		Page V10
Ball valves model DR801CL & seats RKDR801	series #DR801CL & RKDR801.....	Page V11
Check Valve model CLCV	series #CLCV	Page V12
Fixed spray balls model BSTC	series #STC	Page V13
Sight glass model SG and repair kits	series #B28W	Page V13

TUBING AND ACCESSORIES

Stainless steel tubing model A270	series #A270	Page T1
Hexagonal tube hangers with white PVC insert model P24PS....	series #P24PS	Page T2

Sanitary Fittings



PITANCO

PRECISION

ISO 9001



CLAMPS, HEAVY DUTY, SINGLE PIN AND STANDARD NUT MODEL CL-HD

CLAMPS & GASKETS



SIZE	SERVICE PRESSURE RATING @ 70°F ¹	DIMENSIONS as per diagram	SERIES # 13MHHM Stainless Steel 304
OD		A	PART #
0,50" & 0,75"	1500	1,062"	CL050HD
1,00" & 1,50"	500	2,122"	CL150HD
2,00"	450	2,654"	CL200HD
2,50"	400	3,185"	CL250HD
3,00"	350	3,717"	CL300HD
4,00"	300	4,820"	CL400HD
6,00"	150	6,695"	CL600HD
8,00"	100	8,695"	CL800HD

¹ Wing nut tightened to 25 lb torque.

DESCRIPTION	PART #
Standard wing nut for HD clamps 2"	NUT-CL200HD

CLAMPS, HEAVY DUTY, SINGLE PIN AND SERRATED WING NUT MODEL CL-HD-SW

CLAMPS & GASKETS



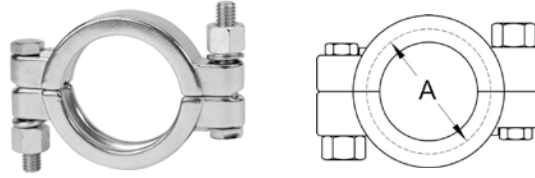
SIZE	SERVICE PRESSURE RATING @ 70°F ¹	DIMENSIONS as per diagram	SERIES # 13MHHM Stainless Steel 304
OD		A	PART #
0,50" & 0,75"	1500	1,062"	CL050HD-SW
1,00" & 1,50"	500	2,122"	CL150HD-SW
2,00"	450	2,654"	CL200HD-SW
2,50"	400	3,185"	CL250HD-SW
3,00"	350	3,717"	CL300HD-SW
4,00"	300	4,820"	CL400HD-SW
6,00"	150	6,695"	CL600HD-SW
8,00"	100	8,695"	CL800HD-SW

¹ Wing nut tightened to 25 lb torque.

DESCRIPTION	PART #
Serrated wing nut for HD clamps 2"	NUT-CL200HD-SW

**CLAMPS, HIGH PRESSURE, DUAL BOLTED
MODEL CL13MHP**

CLAMPS & GASKETS



SIZE	SERVICE PRESSURE RATING @ 70°F ¹	DIMENSIONS as per diagram	SERIES # 13MHP Stainless Steel 304
OD		A	PART #
0,50" & 0,75"	1500	1,062"	CL13MHP-050HD
1,00" & 1,50"	1500	2,046"	CL13MHP-150HD
2,00"	1000	2,578"	CL13MHP-200HD
2,50"	1000	3,110"	CL13MHP-250HD
3,00"	1000	3,640"	CL13MHP-300HD
4,00"	800	4,744"	CL13MHP-400HD
6,00"	300	6,632"	CL13MHP-600HD

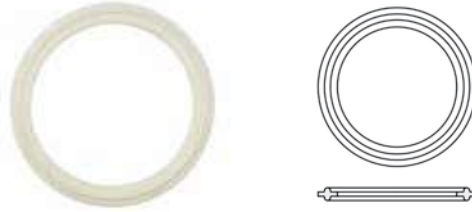
¹ Wing nut tightened to 25 lb torque.

**GASKETS, PEROXIDE CURED, CLEAR SILICONE, FDA APPROVED
MODEL G-CS**

CLAMPS & GASKETS

TEMPERATURE RANGE

- 50°F / 400°F
- 46°C / 204°C



SIZE	SERIES # 42MP Clear Silicone, no dot			SERIES # 40MP Clear Silicone, no dot		
OD	PART #		QUANTITY	PART #		QUANTITY
0,50"	G050-CS		25 PACK			
0,75"	G075-CS		25 PACK			
1,00"				G100-CS		25 PACK
1,50"				G150-CS		25 PACK
2,00"				G200-CS		25 PACK
2,50"				G250-CS		25 PACK
3,00"				G300-CS		10 PACK
4,00"				G400-CS		10 PACK
6,00"				G600-CS		Individually
8,00"				G800-CS		Individually

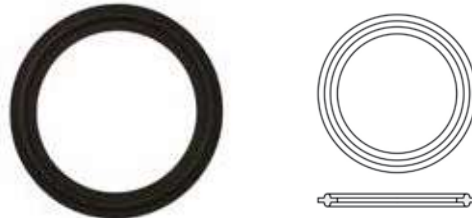
Other diameters available upon request.

**GASKETS, PEROXIDE CURED, EPDM, FDA APPROVED
MODEL G-EPDM**

CLAMPS & GASKETS

TEMPERATURE RANGE

- 40°F / 275°F
- 40°C / 135°C



SIZE	SERIES # 42MP EPDM, 3 green dots			SERIES # 40MP EPDM, 3 green dots		
OD	PART #		QUANTITY	PART #		QUANTITY
0,50"	G050-EPDM		25 PACK			
0,75"	G075-EPDM		25 PACK			
1,00"				G100-EPDM		25 PACK
1,50"				G150-EPDM		25 PACK
2,00"				G200-EPDM		25 PACK
2,50"				G250-EPDM		25 PACK
3,00"				G300-EPDM		10 PACK
4,00"				G400-EPDM		10 PACK
6,00"				G600-EPDM		Individually
8,00"				G800-EPDM		Individually

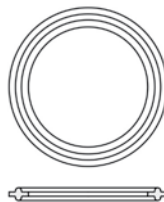
Other diameters available upon request.

**GASKETS, BUNA-N, FDA APPROVED
MODEL G-BN**

CLAMPS & GASKETS

TEMPERATURE RANGE

- 25°F / 225°F
- 32°C / 107°C



SIZE	SERIES # 42MP BUNA-N, 1 red dot		SERIES # 40MP BUNA-N, 1 red dot	
OD	PART #	QUANTITY	PART #	QUANTITY
0,50"	G050-BN	25 PACK		
0,75"	G075-BN	25 PACK		
1,00"			G100-BN	25 PACK
1,50"			G150-BN	25 PACK
2,00"			G200-BN	25 PACK
2,50"			G250-BN	25 PACK
3,00"			G300-BN	10 PACK
4,00"			G400-BN	10 PACK
6,00"			G600-BN	Individually
8,00"			G800-BN	Individually

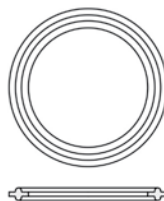
Other diameters available upon request.

**GASKETS, PEROXIDE CURED, VITON (FKM), FDA APPROVED
MODEL G-FKM**

CLAMPS & GASKETS

TEMPERATURE RANGE

- 15°F / 375°F
- 26°C / 191°C



SIZE	SERIES # 42MP VITON, 1 white dot & 1 yellow dot		SERIES # 40MP VITON, 1 white dot & 1 yellow dot	
OD	PART #	Quantity	PART #	Quantity
0,50"	G050-FKM	Individually		
0,75"	G075-FKM	Individually		
1,00"			G100-FKM	Individually
1,50"			G150-FKM	Individually
2,00"			G200-FKM	Individually
2,50"			G250-FKM	Individually
3,00"			G300-FKM	Individually
4,00"			G400-FKM	Individually
6,00"			G600-FKM	Individually
8,00"			G800-FKM	Individually

Other diameters available upon request.

**GASKETS, PTFE (WHITE TEFLON), FDA APPROVED
MODEL G-PTFE**

CLAMPS & GASKETS

TEMPERATURE RANGE

- 10°F / 300°F
- 23°C / 232°C



Not recommended for double nut hose clamps.

SIZE	SERIES # 42MP PTFE, no dot			SERIES # 40MP PTFE, no dot		
	OD	PART #	QUANTITY	PART #	QUANTITY	QUANTITY
0,50"	G050-PTFE		25 PACK			
0,75"	G075-PTFE		25 PACK			
1,00"				G100-PTFE		25 PACK
1,50"				G150-PTFE		25 PACK
2,00"				G200-PTFE		25 PACK
2,50"				G250-PTFE		25 PACK
3,00"				G300-PTFE		10 PACK
4,00"				G400-PTFE		10 PACK
6,00"				G600-PTFE		Individually

Other diameters available upon request.

**FLANGED GASKETS, PEROXIDE CURED, EPDM, FDA APPROVED
MODEL FG-EPDM**

CLAMPS & GASKETS

TEMPERATURE RANGE

- 40°F / 275°F
- 40°C / 135°C



Type 2 - Flanged

SIZE	SERIES # 42MPF EPDM, 3 green dots			SERIES # 40MPF EPDM, 3 green dots		
	OD	PART #	QUANTITY	PART #	QUANTITY	QUANTITY
0,50"	FG050-EPDM		25 PACK			
0,75"	FG075-EPDM		25 PACK			
1,00"				FG100-EPDM		25 PACK
1,50"				FG150-EPDM		25 PACK
2,00"				FG200-EPDM		25 PACK
2,50"				FG250-EPDM		25 PACK
3,00"				FG300-EPDM		10 PACK
4,00"				FG400-EPDM		10 PACK
5,00"				FG500-EPDM		10 PACK
6,00"				FG600-EPDM		Individually
8,00"				FG800-EPDM		Individually

Other diameters available upon request.

**FLANGED GASKETS, PEROXIDE CURED, CLEAR SILICONE, FDA APPROVED
MODEL FG-CS**

CLAMPS & GASKETS

TEMPERATURE RANGE

- 50°F / 400°F
- 46°C / 204°C



Type 2 - Flanged

SIZE	SERIES # 42MPF Clear Silicone, no dot		SERIES # 40MPF Clear Silicone, no dot	
OD	PART #	QUANTITY	PART #	QUANTITY
0,50"	FG050-CS	25 PACK		
0,75"	FG075-CS	25 PACK		
1,00"			FG100-CS	25 PACK
1,50"			FG150-CS	25 PACK
2,00"			FG200-CS	25 PACK
2,50"			FG250-CS	25 PACK
3,00"			FG300-CS	10 PACK
4,00"			FG400-CS	10 PACK
5,00"			FG500-CS	10 PACK
6,00"			FG600-CS	Individually
8,00"			FG800-CS	Individually

Other diameters available upon request.

**FLANGED GASKETS, BUNA-N, FDA APPROVED
MODEL FG-BN**

CLAMPS & GASKETS

TEMPERATURE RANGE

- 25°F / 225°F
- 32°C / 107°C



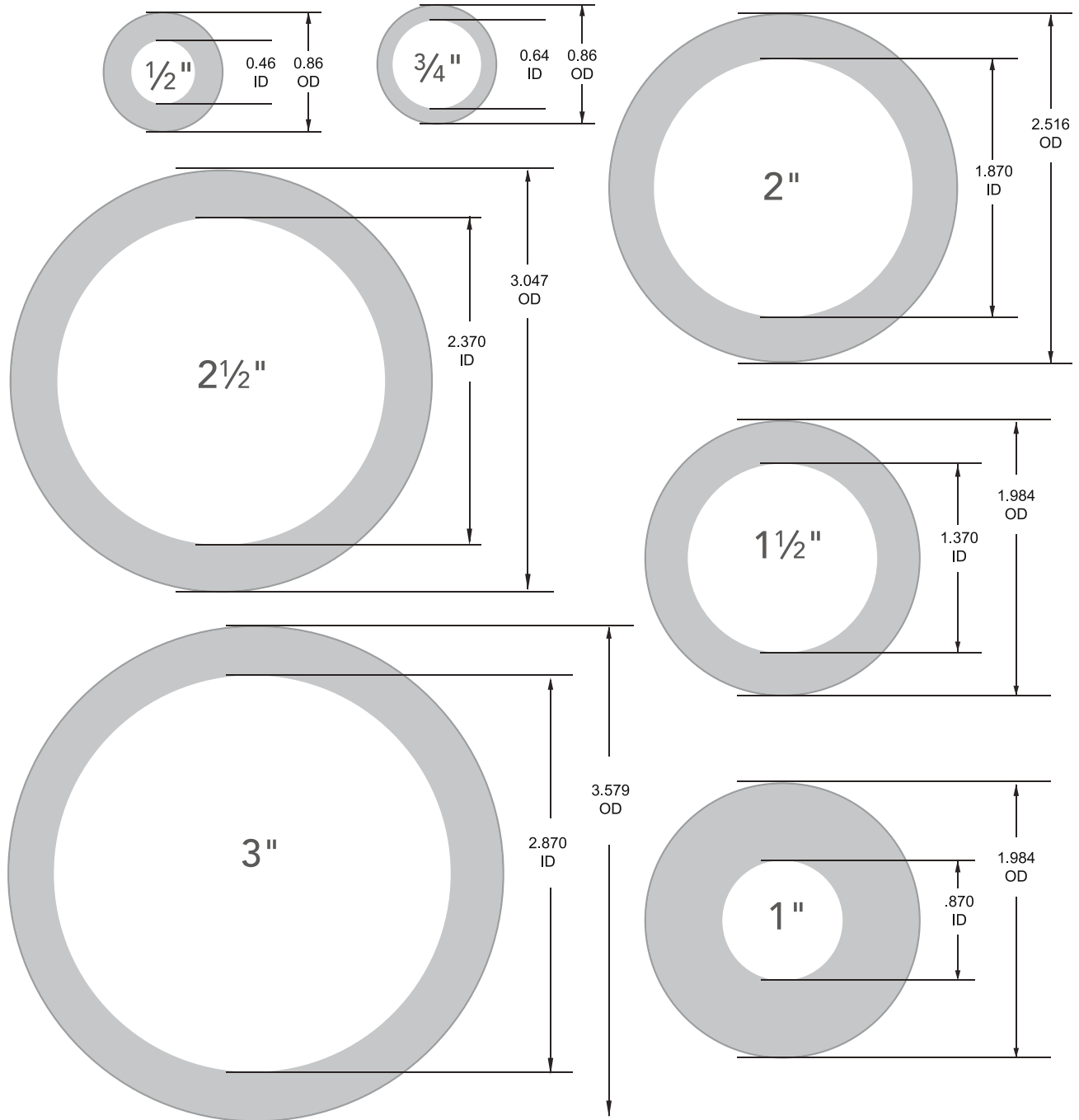
Type 2 - Flanged

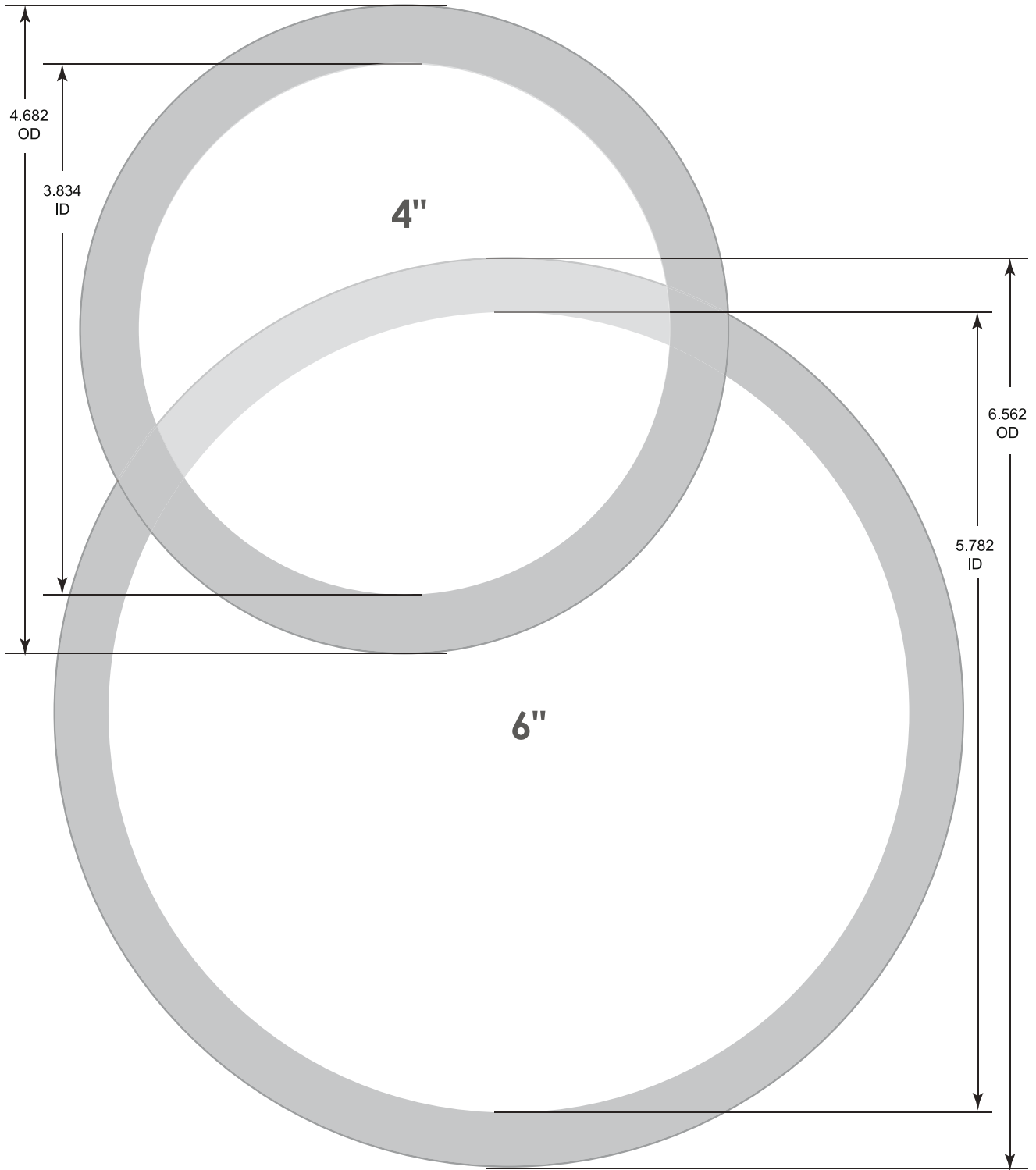
SIZE	SERIES # 42MPF BUNA-N, 1 red dot		SERIES # 40MPF BUNA-N, 1 red dot	
OD	PART #	QUANTITY	PART #	QUANTITY
0,50"	FG050-BN	25 PACK		
0,75"	FG075-BN	25 PACK		
1,00"			FG100-BN	25 PACK
1,50"			FG150-BN	25 PACK
2,00"			FG200-BN	25 PACK
2,50"			FG250-BN	25 PACK
3,00"			FG300-BN	10 PACK
4,00"			FG400-BN	10 PACK
6,00"			FG600-BN	Individually
8,00"			FG800-BN	Individually

Other diameters available upon request.

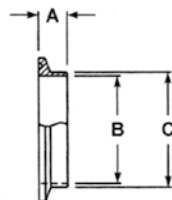
CLAMP GASKET - SIZING GUIDE

CLAMPS & GASKETS





SHORT FERRULES, POLISHED # 7, 3A APPROVED MODEL SF

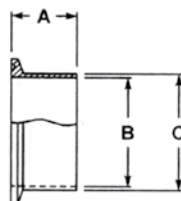


BUTT-WELD

SIZE	DIMENSIONS as per diagram			SERIES # 14WMP Stainless Steel 304	SERIES # 14WMP Stainless Steel 316L
OD	A	B	C	PART #	PART #
0,50"	0,50"	0,37"	0,50"	SF050-304	SF050-316L
0,75"	0,50"	0,62"	0,75"	SF075-304	SF075-316L
1,00"	0,50"	0,87"	1,00"	SF100-304	SF100-316L
1,50"	0,50"	1,37"	1,50"	SF150-304	SF150-316L
2,00"	0,50"	1,87"	2,00"	SF200-304	SF200-316L
2,50"	0,50"	2,37"	2,50"	SF250-304	SF250-316L
3,00"	0,50"	2,87"	3,00"	SF300-304	SF300-316L
4,00"	0,625"	3,834"	4,00"	SF400-304	SF400-316L
6,00"	0,875"	5,782"	6,00"	SF600-304	SF600-316L
8,00"	0,875"	7,76"	8,00"	SF800-304	SF800-316L

Other diameters available upon request.

LONG FERRULES, POLISHED # 7, 3A APPROVED MODEL LF



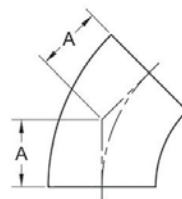
BUTT-WELD

SIZE	DIMENSIONS as per diagram			SERIES # 14AMP Stainless Steel 304	SERIES # 14AMP Stainless Steel 316L
OD	A	B	C	PART #	PART #
0,50"	1,125"	0,37"	0,50"	LF050-304	LF050-316L
0,75"	1,125"	0,62"	0,75"	LF075-304	LF075-316L
1,00"	1,125"	0,87"	1,00"	LF100-304	LF100-316L
1,50"	1,125"	1,37"	1,50"	LF150-304	LF150-316L
2,00"	1,125"	1,87"	2,00"	LF200-304	LF200-316L
2,50"	1,125"	2,37"	2,50"	LF250-304	LF250-316L
3,00"	1,125"	2,87"	3,00"	LF300-304	LF300-316L
4,00"	1,125"	3,834"	4,00"	LF400-304	LF400-316L
6,00"	1,500"	5,782"	6,00"	LF600-304	LF600-316L
8,00"	1,500"	7,76"	8,00"	LF800-304	LF800-316L

Other diameters available upon request.

**45° ELBOWS, BUTT WELD, POLISHED # 7, 3A APPROVED
MODEL EL45**

BUTT-WELD

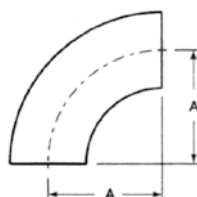


SIZE	DIMENSIONS as per diagram		SERIES # B2WK Stainless Steel 304	SERIES # B2WK Stainless Steel 316L
OD	A	Wall Thickness	PART #	PART #
0,50"	0,280"	0,065"	EL45-050-304	EL45-050-316L
0,75"	0,466"	0,065"	EL45-075-304	EL45-075-316L
1,00"	0,625"	0,065"	EL45-100-304	EL45-100-316L
1,50"	0,937"	0,065"	EL45-150-304	EL45-150-316L
2,00"	1,250"	0,065"	EL45-200-304	EL45-200-316L
2,50"	1,562"	0,065"	EL45-250-304	EL45-250-316L
3,00"	1,875"	0,065"	EL45-300-304	EL45-300-316L
4,00"	2,500"	0,083"	EL45-400-304	EL45-400-316L
6,00"	3,750"	0,109"	EL45-600-304	EL45-600-316L
8,00"	5,000"	0,170"		EL45-800-316L

Other diameters available upon request.

**90° ELBOWS, BUTT WELD, POLISHED # 7, 3A APPROVED
MODEL EL90**

BUTT-WELD

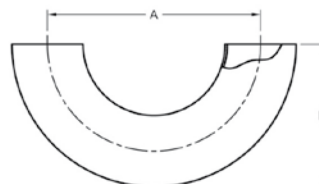
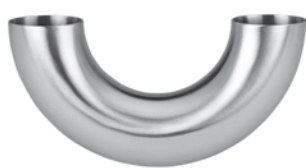


SIZE	DIMENSIONS as per diagram		SERIES # B2WC Stainless Steel 304	SERIES # B2WC Stainless Steel 316L
OD	A	Wall Thickness	PART #	PART #
0,50"	0,750"	0,065"	EL90-050-304	EL90-050-316L
0,75"	1,125"	0,065"	EL90-075-304	EL90-075-316L
1,00"	1,500"	0,065"	EL90-100-304	EL90-100-316L
1,50"	2,250"	0,065"	EL90-150-304	EL90-150-316L
2,00"	3,000"	0,065"	EL90-200-304	EL90-200-316L
2,50"	3,750"	0,065"	EL90-250-304	EL90-250-316L
3,00"	4,500"	0,065"	EL90-300-304	EL90-300-316L
4,00"	6,000"	0,083"	EL90-400-304	EL90-400-316L
6,00"	9,000"	0,109"	EL90-600-304	EL90-600-316L
8,00"	12,000"	0,110"		EL90-800-316L

Other diameters available upon request.

**180° ELBOWS, BUTT WELD, POLISHED # 7, 3A APPROVED
MODEL EL180**

BUTT-WELD

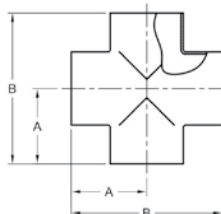


SIZE	DIMENSIONS as per diagram			SERIES # B2WUL Stainless Steel 304	SERIES # B2WUL Stainless Steel 316L
OD	A	B	Wall Thickness	PART #	PART #
1,00"	3,000"	2,000"	0,065"	EL180-10-304	EL180-10-316L
1,50"	4,500"	3,000"	0,065"	EL180-15-304	EL180-15-316L
2,00"	6,000"	4,000"	0,065"	EL180-20-304	
2,50"	7,500"	5,000"	0,065"		
3,00"	9,000"	6,000"	0,065"		
4,00"	12,000"	8,000"	0,083"		

Other diameters available upon request.

**CROSSES, BUTT WELD, POLISHED # 7, 3A APPROVED
MODEL PB9WWWW**

BUTT-WELD

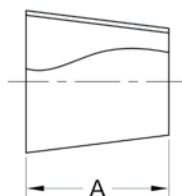


SIZE	DIMENSIONS as per diagram		SERIES # B9WWWW Stainless Steel 304	SERIES # B9WWWW Stainless Steel 316L
OD	A	B	PART #	PART #
1,00"	1,125"	2,250"	PB9WWWW-10-304	
1,50"	1,656"	3,312"	PB9WWWW-15-304	
2,00"	2,062"	4,125"	PB9WWWW-20-304	
2,50"	2,343"	4,687"	PB9WWWW-25-304	
3,00"	2,598"	5,187"	PB9WWWW-30-304	
4,00"	3,437"	6,875"	PB9WWWW-40-304	

Other diameters and materials available on request.

**CONCENTRIC REDUCERS, BUTT WELD, POLISHED # 7, 3A APPROVED
MODEL CR31W**

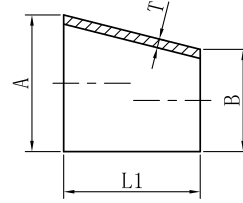
BUTT-WELD



SIZE	DIMENSIONS as per diagram	SERIES # B31W Stainless Steel 304	SERIES # B31W Stainless Steel 316L
OD	A	PART #	PART #
1 x 0,5"	1,000"	CR31W-10-050-4	
1 x 0,75"	1,000"	CR31W-10-075-4	
1,5 x 1"	2,000"	CR31W-15-10-4	CR31W-15-10-6
2 x 1"	4,000"	CR31W-20-10-4	CR31W-20-10-6
2 x 1,5"	2,000"	CR31W-20-15-4	CR31W-20-15-6
2,5 x 1"	6,000"	CR31W-25-10-4	CR31W-25-10-6
2,5 x 1,5"	4,000"	CR31W-25-15-4	CR31W-25-15-6
2,5 x 2"	2,000"	CR31W-25-20-4	CR31W-25-20-6
3 x 1"	8,000"	CR31W-30-10-4	CR31W-30-10-6
3 x 1,5"	6,000"	CR31W-30-15-4	CR31W-30-15-6
3 x 2"	4,000"	CR31W-30-20-4	CR31W-30-20-6
3 x 2,5"	2,000"	CR31W-30-25-4	CR31W-30-25-6
4 x 1"	12,000"	CR31W-40-10-4	CR31W-40-10-6
4 x 1,5"	10,000"	CR31W-40-15-4	CR31W-40-15-6
4 x 2"	8,000"	CR31W-40-20-4	CR31W-40-20-6
4 x 2,5"	6,000"	CR31W-40-25-4	CR31W-40-25-6
4 x 3"	4,000"	CR31W-40-30-4	CR31W-40-30-6
6 x 4"	5,500"	CR31W-60-40-4	CR31W-60-40-6
10 x 8"	7,000"		

Other diameters available upon request.

**ECCENTRIC REDUCERS, BUTT WELD, POLISHED 7, 3A APPROVED
MODEL ER32W**

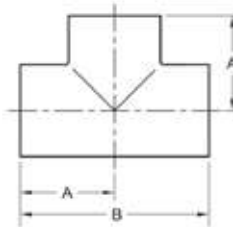


BUTT-WELD

SIZE	DIMENSIONS as per diagram		SERIES # ER32W Stainless Steel 304	SERIES # ER32W Stainless Steel 316L
OD (A x B)	L1	T	PART #	PART #
1,5 x 1"	2,000"	0,065 x 0,065"		ER32W-15-10-6
2 x 1"	4,000"	0,065 x 0,065"		ER32W-20-10-6
2 x 1,5"	2,000"	0,065 x 0,065"	ER32W-20-15-4	ER32W-20-15-6
2,5 x 1"	6,000"	0,065 x 0,065"		ER32W-25-10-6
2,5 x 1,5"	4,000"	0,065 x 0,065"		ER32W-25-15-6
2,5 x 2"	2,000"	0,065 x 0,065"		ER32W-25-20-6
3 x 1"	8,000"	0,065 x 0,065"		ER32W-30-10-6
3 x 1,5"	6,000"	0,065 x 0,065"		ER32W-30-15-6
3 x 2"	4,000"	0,065 x 0,065"		ER32W-30-20-6
3 x 2,5"	2,000"	0,065 x 0,065"		ER32W-30-25-6
4 x 1,5"	10,000"	0,083 x 0,065"		ER32W-40-15-6
4 x 2"	8,000"	0,083 x 0,065"		ER32W-40-20-6
4 x 2,5"	6,000"	0,083 x 0,065"		ER32W-40-25-6
4 x 3"	4,000"	0,083 x 0,065"		ER32W-40-30-6
6 x 3"	5,512"	0,109 x 0,065"		ER32W-60-30-6
6 x 4"	5,512"	0,109 x 0,083"		ER32W-60-40-6

Other diameters available upon request.

**SHORT TEES, BUTT WELD, POLISHED # 7, 3A APPROVED
MODEL STB7WWW**

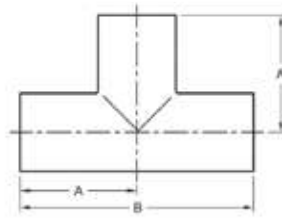
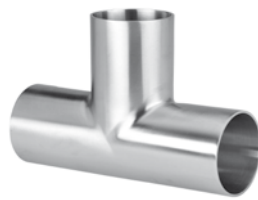


BUTT-WELD

SIZE	DIMENSIONS as per diagram		SERIES # B7WWW Stainless Steel 304	PRICE
OD	A	B	PART #	
0,50"				
0,75"				
1,00"	1,125"	2,250"	STB7WWW-100-304	\$11,50
1,50"	1,656"	3,312"	STB7WWW-150-304	\$13,15
2,00"	2,063"	4,125"	STB7WWW-200-304	\$17,25
2,50"	2,344"	4,688"	STB7WWW-250-304	\$22,21
3,00"	2,594"	5,188"	STB7WWW-300-304	\$26,31
4,00"	3,438"	6,875"	STB7WWW-400-304	\$49,30
6,00"	5,625"	11,250"	STB7WWW-600-304	\$156,18
8,00"				

Other diameters available upon request.

**LONG TEES, BUTT WELD, POLISHED # 7, 3A APPROVED
MODEL LTB7W**

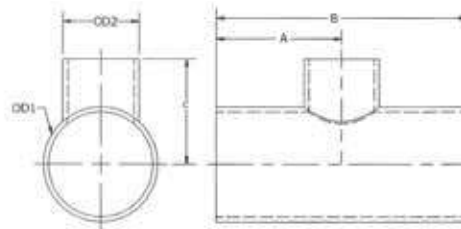


BUTT-WELD

SIZE	DIMENSIONS as per diagram		SERIES # B7W Stainless Steel 304	SERIES # B7W Stainless Steel 316L
OD	A	B	PART #	PART #
0,50"	1,875"	3,750"		LTB7W-050-316L
0,75"	2,000"	4,000"		LTB7W-075-316L
1,00"	1,875"	3,750"	LTB7W-100-304	LTB7W-100-316L
1,50"	2,250"	4,500"	LTB7W-150-304	LTB7W-150-316L
2,00"	3,000"	6,000"	LTB7W-200-304	LTB7W-200-316L
2,50"	3,000"	6,000"	LTB7W-250-304	LTB7W-250-316L
3,00"	3,250"	6,500"	LTB7W-300-304	LTB7W-300-316L
4,00"	3,875"	7,750"	LTB7W-400-304	LTB7W-400-316L
6,00"	5,625"	11,250"	LTB7W-600-304	LTB7W-600-316L

Other diameters available upon request.

**REDUCING TEES, BUTT WELD, POLISHED # 7, 3A APPROVED
MODEL LTB7RW**

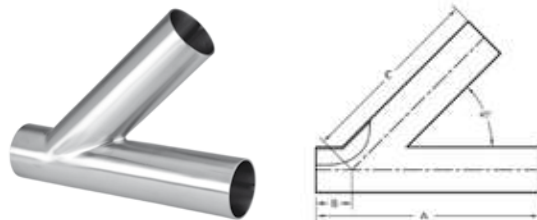


BUTT-WELD

SIZE		DIMENSIONS as per diagram			SERIES # BR7WWW Stainless Steel 316L
OD1	OD2	A	B	C	PART #
0,75"	0,50"	1,874"	3,748"	1,874"	LTB7RW-075-050-316L
1,00"	0,50"	1,874"	3,748"	1,874"	LTB7RW-100-050-316L
1,00"	0,75"	1,874"	3,748"	1,874"	LTB7RW-100-075-316L
1,50"	0,50"	2,252"	4,504"	2,252"	LTB7RW-150-050-316L
1,50"	0,75"	2,252"	4,504"	2,252"	LTB7RW-150-075-316L
1,50"	1,00"	2,252"	4,504"	2,252"	LTB7RW-150-100-316L
2,00"	1,00"	3,000"	6,000"	3,000"	LTB7RW-200-100-316L
2,00"	1,50"	3,000"	6,000"	3,000"	LTB7RW-200-150-316L
2,50"	1,50"	3,000"	6,000"	3,000"	LTB7RW-250-150-316L
2,50"	2,00"	3,000"	6,000"	3,000"	LTB7RW-250-200-316L
3,00"	1,50"	3,252"	6,504"	3,252"	LTB7RW-300-150-316L
3,00"	2,00"	3,252"	6,504"	3,252"	LTB7RW-300-200-316L
3,00"	2,50"	3,252"	6,504"	3,252"	LTB7RW-300-250-316L
4,00"	1,50"	3,874"	7,748"	3,874"	LTB7RW-400-150-316L
4,00"	2,00"	3,874"	7,748"	3,874"	LTB7RW-400-200-316L
4,00"	2,50"	3,874"	7,748"	3,874"	LTB7RW-400-250-316L
4,00"	3,00"	3,874"	7,748"	3,874"	LTB7RW-400-300-316L
6,00"	2,00"	5,630"	11,260"	5,630"	LTB7RW-600-200-316L
6,00"	3,00"	5,630"	11,260"	5,630"	LTB7RW-600-300-316L
6,00"	4,00"	5,630"	11,260"	5,630"	LTB7RW-600-400-316L

Other diameters and materials available upon request.

**LATERAL Y'S, BUTT WELD, POLISHED # 7, 3A APPROVED
MODEL YLB28WA**

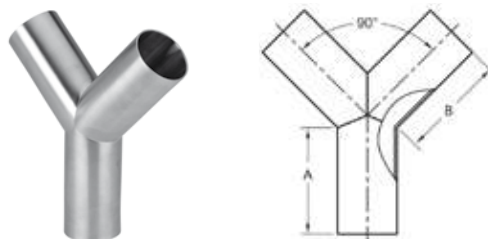


BUTT-WELD

SIZE	DIMENSIONS as per diagram			SERIES # B28WA Stainless Steel 304	SERIES # B28WA Stainless Steel 316L
	OD	A	B	C	PART #
1,00"	6,000"	1,000"	5,000"	YLB28WA-10-304	
1,50"	7,375"	1,188"	6,188"	YLB28WA-15-304	
2,00"	8,750"	1,625"	7,125"	YLB28WA-20-304	
2,50"	10,000"	1,500"	8,500"	YLB28WA-25-304	
3,00"	10,750"	1,875"	8,875"	YLB28WA-30-304	
4,00"	12,812"	2,015"	10,750"	YLB28WA-40-304	
6,00"	16,500"	4,000"	14,750"	YLB28WA-60-304	

Other diameters and materials available on request.

**TRUE Y'S, BUTT WELD, POLISHED # 7, 3A APPROVED
MODEL YB28W**



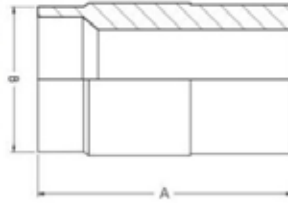
BUTT-WELD

SIZE	DIMENSIONS as per diagram		SERIES # B28W Stainless Steel 304	SERIES # B28W Stainless Steel 316L
	OD	A	B	PART #
1,00"	2,000"	2,438"	YB28W-10-304	
1,50"	2,000"	2,438"	YB28W-15-304	
2,00"	2,625"	3,250"	YB28W-20-304	
2,50"	3,375"	4,125"	YB28W-25-304	
3,00"	4,000"	4,875"	YB28W-30-304	
4,00"	5,375"	6,562"	YB28W-40-304	

Other diameters and materials available on request.

ADAPTERS, BUTT WELD x NPTM, POLISHED # 7
MODEL 19WB

BUTT-WELD

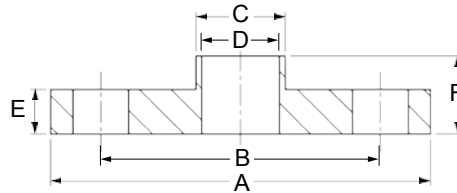


SIZE	NPTM	DIMENSIONS as per diagram		SERIES # 19WB Stainless Steel 304	SERIES # 19WB Stainless Steel 316L
OD		A	B	PART #	PART #
1,00"	0,75"	1,750"	1,000"		P19WB-10-075-6L
1,00"	1,00"	1,750"	1,000"		P19WB-10-10-6L
1,50"	1,00"	1,750"	1,500"		P19WB-15-10-6L
1,50"	1,50"	1,750"	1,500"		P19WB-15-15-6L
2,00"	1,50"	1,813"	2,000"		P19WB-20-15-6L
2,00"	2,00"	1,813"	2,000"		P19WB-20-20-6L

Other diameters and materials available on request.

WELD NECK FLANGES RF150, POLISHED # 7
MODEL SPW-B38W

BUTT-WELD

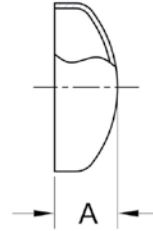


SIZE	DIMENSIONS * as per diagram						SERIES # B38W Stainless Steel 304	SERIES # B38W Stainless Steel 316L
OD	A	B	C	D	E	F	PART #	PART #
1,00"	4,250"	3,126"	1,000"	0,870"	0,375"	0,500"		SPW-B38W100-6
1,50"	5,000"	3,874"	1,500"	1,370"	0,375"	0,500"		SPW-B38W150-6
2,00"	6,000"	4,752"	2,000"	1,870"	0,500"	0,625"		SPW-B38W200-6
2,50"	7,000"	5,500"	2,500"	2,370"	0,500"	0,625"		SPW-B38W250-6
3,00"	7,500"	6,000"	3,000"	2,870"	0,500"	0,625"		SPW-B38W300-6
4,00"	9,000"	7,500"	4,000"	3,835"	0,500"	0,625"	SPW-B38W400-4	SPW-B38W400-6
6,00"	11,000"	9,500"	6,000"	5,780"	0,500"	0,625"		SPW-B38W600-6

Other diameters and materials available on request.

**DOME CAPS, POLISHED # 7, 3A APPROVED
MODEL RC**

BUTT-WELD

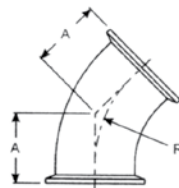


SIZE	DIMENSIONS as per diagram	SERIES # B16W Stainless Steel 304	SERIES # B16W Stainless Steel 316L
OD	A	PART #	PART #
1,00"	0,375"		RC100-316L
1,50"	0,562"		RC150-316L
2,00"	0,750"		RC200-316L
2,50"	1,000"		RC250-316L
3,00"	1,250"	RC300-304	RC300-316L
4,00"	1,500"		RC400-316L

Other diameters available upon request.

**45° ELBOWS, TRI-CLAMP®, POLISHED # 7, 3A APPROVED
MODEL PFCL45**

TRI-CLAMP®

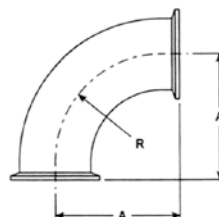


SIZE	DIMENSIONS as per diagram		SERIES # B2KMP Stainless Steel 304	SERIES # B2KMP Stainless Steel 316L
OD	A	R	PART #	PART #
1"	1,125"	1,50"	PFCL45-10-304	PFCL45-10-316L
1,50"	1,437"	2,25"	PFCL45-15-304	PFCL45-15-316L
2,00"	1,750"	3,00"	PFCL45-20-304	PFCL45-20-316L
2,50"	2,062"	3,75"	PFCL45-25-304	PFCL45-25-316L
3,00"	2,375"	4,50"	PFCL45-30-304	PFCL45-30-316L
4,00"	3,125"	6,00"	PFCL45-40-304	PFCL45-40-316L
6,00"	4,625"	9,00"	PFCL45-60-304	PFCL45-60-316L

Other diameters available upon request.

**90° ELBOWS, TRI-CLAMP®, POLISHED # 7, 3A APPROVED
MODEL PFCL90**

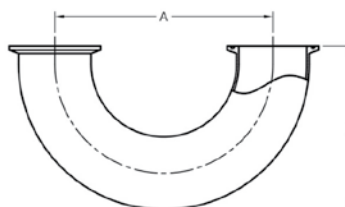
TRI-CLAMP®



SIZE	DIMENSIONS as per diagram		SERIES # B2CMP Stainless Steel 304	SERIES # B2CMP Stainless Steel 316L
OD	A	R	PART #	PART #
0,50"	1,625"	1,125"		PFCL90-050-316L
0,75"	1,625"	1,125"		PFCL90-075-316L
1,00"	2,00"	1,50"	PFCL90-10-304	PFCL90-10-316L
1,50"	2,75"	2,25"	PFCL90-15-304	PFCL90-15-316L
2,00"	3,50"	3,00"	PFCL90-20-304	PFCL90-20-316L
2,50"	4,25"	3,75"	PFCL90-25-304	PFCL90-25-316L
3,00"	5,00"	4,50"	PFCL90-30-304	PFCL90-30-316L
4,00"	6,625"	6,00"	PFCL90-40-304	PFCL90-40-316L
6,00"	9,875"	9,00"	PFCL90-60-304	

Other diameters available upon request.

**180° RETURN BENDS, TRI-CLAMP®, POLISHED # 7, 3A APPROVED
MODEL PFCL180**

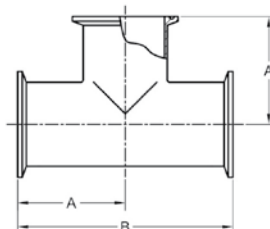


TRI-CLAMP®

SIZE	DIMENSIONS as per diagram		SERIES # B2WUMP Stainless Steel 304	SERIES # B2WUMP Stainless Steel 316L
OD	A	B	PART #	PART #
1"	3,000"	2,500"	PFCL180-10-304	PFCL180-10-316L
1,50"	4,500"	3,500"	PFCL180-15-304	PFCL180-15-316L
2,00"	6,000"	4,500"	PFCL180-20-304	PFCL180-20-316L
2,50"	7,500"	5,500"		
3,00"	9,000"	6,500"		
4,00"	12,000"	8,625"		

Other diameters available upon request.

**LONG TEES, TRI-CLAMP®, POLISHED # 7, 3A APPROVED
MODEL LTB7MP**



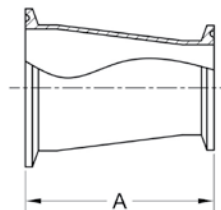
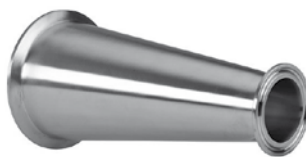
TRI-CLAMP®

SIZE	DIMENSIONS as per diagram		SERIES # B7MP Stainless Steel 304	SERIES # B7MP Stainless Steel 316L
OD	A	B	PART #	PART #
0,50"	2,375"	4,750"		
0,75"	2,500"	5,000"		
1,00"	2,375"	4,750"	LTB7MP-100-304	LTB7MP-100-316L
1,50"	2,750"	5,500"	LTB7MP-150-304	LTB7MP-150-316L
2,00"	3,500"	7,000"	LTB7MP-200-304	LTB7MP-200-316L
2,50"	3,500"	7,000"	LTB7MP-250-304	LTB7MP-250-316L
3,00"	3,750"	7,500"	LTB7MP-300-304	LTB7MP-300-316L
4,00"	4,500"	9,000"	LTB7MP-400-304	LTB7MP-400-316L
6,00"	6,500"	13,000"		

Other diameters available upon request.

**CONCENTRIC REDUCERS, TRI-CLAMP®, POLISHED # 7, 3A APPROVED
MODEL 3114MP**

TRI-CLAMP®

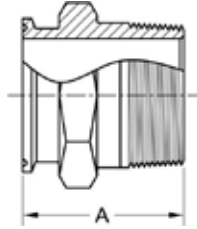


SIZE	DIMENSIONS as per diagram	SERIES # B3114MP Stainless Steel 304	SERIES # B3114MP Stainless Steel 316L
OD	A	PART #	PART #
1,5 x 1"	2,000"	3114MP-15-10-4	3114MP-15-10-6
2 x 1"	4,000"	3114MP-20-10-4	3114MP-20-10-6
2 x 1,5"	2,000"	3114MP-20-15-4	3114MP-20-15-6
2,5 x 1"	7,000"	3114MP-25-10-4	3114MP-25-10-6
2,5 x 1,5"	4,000"	3114MP-25-15-4	3114MP-25-15-6
2,5 x 2"	2,000"	3114MP-25-20-4	3114MP-25-20-6
3 x 1"	9,000"		3114MP-30-10-6
3 x 1,5"	7,000"	3114MP-30-15-4	3114MP-30-15-6
3 x 2"	4,000"	3114MP-30-20-4	3114MP-30-20-6
3 x 2,5"	2,000"	3114MP-30-25-4	3114MP-30-25-6
4 x 1"	13,000"		3114MP-40-10-6
4 x 1,5"	11,125"	3114MP-40-15-4	3114MP-40-15-6
4 x 2"	8,000"	3114MP-40-20-4	3114MP-40-20-6
4 x 2,5"	7,125"	3114MP-40-25-4	3114MP-40-25-6
4 x 3"	4,000"	3114MP-40-30-4	3114MP-40-30-6
6 x 4"	7,000"	3114MP-60-40-4	

Other diameters available upon request.

**ADAPTERS, TRI-CLAMP® x NPTM, POLISHED # 7
MODEL CA21MP**

TRI-CLAMP®

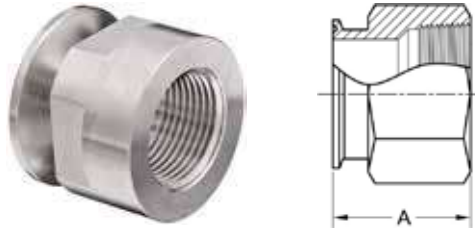


SIZE	DIMENSIONS as per diagram	SERIES # 21MP Stainless Steel 304	SERIES # 21MP Stainless Steel 316L
OD (TC x NPTM)	A	PART #	PART #
1 x 0,5"	2,190"		CA21MP-10-050-6
1 x 0,75"	2,190"		CA21MP-10-075-6
1 x 1"	2,250"		CA21MP-10-10-6
1,5 x 0,25"	2,200"	CA21MP-15-025-4	CA21MP-15-025-6
1,5 x 0,50"	2,150"	CA21MP-15-050-4	CA21MP-15-050-6
1,5 x 0,75"	2,200"	CA21MP-15-075-4	CA21MP-15-075-6
1,5 x 1"	2,250"	CA21MP-15-10-4	CA21MP-15-10-6
1,5 x 1,5"	2,583"	CA21MP-15-15-4	CA21MP-15-15-6
1,5 x 2 "	2,550"		CA21MP-15-20-6
2 x 0,25"	2,250"	CA21MP-20-025-4	CA21MP-20-025-6
2 x 0,50"	2,250"	CA21MP-20-050-4	
2 x 1"	2,450"	CA21MP-20-10-4	
2 x 1,5"	2,450"	CA21MP-20-15-4	CA21MP-20-15-6
2 x 2"	2,638"	CA21MP-20-20-4	CA21MP-20-20-6
2 x 2,5"	2,835"	CA21MP-20-25-4	CA21MP-20-25-6
2,5 x 1,5"	2,750"		CA21MP-25-15-6
2,5 x 2"	2,750"	CA21MP-25-20-4	CA21MP-25-20-6
2,5 x 2,5"	2,874"	CA21MP-25-25-4	CA21MP-25-25-6
3 x 1,5"	3,000"		CA21MP-30-15-6
3 x 2"	2,550"		CA21MP-30-20-6
3 x 2,5"	3,000"		CA21MP-30-25-6
3 x 3"	3,000"	CA21MP-30-30-4	CA21MP-30-30-6
4 x 3"	3,100"		CA21MP-40-30-6

Other diameters available upon request.

**ADAPTERS, TRI-CLAMP® x NPTF, POLISHED # 7
MODEL CAF22MP**

TRI-CLAMP®

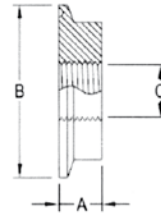


SIZE	DIMENSIONS as per diagram	SERIES # 22MP Stainless Steel 304	SERIES # 22MP Stainless Steel 316L
OD (TC x NPTF)	A	PART #	PART #
1 x 0,50"	1,630"		CAF22MP-10-050-6
1 x 0,75"	1,630"		CAF22MP-10-075-6
1 x 1"	1,630"		CAF22MP-10-10-6
1,5 x 0,25"	1,630"		CAF22MP-15-025-6
1,5 x 0,50"	1,630"		CAF22MP-15-050-6
1,5 x 0,75"	1,630"		CAF22MP-15-075-6
1,5 x 1"	1,630"		CAF22MP-15-10-6
1,5 x 1,25"	1,700"		
1,5 x 1,5"	2,250"		CAF22MP-15-15-6
2 x 1"	1,700"		CAF22MP-20-10-6
2 x 1,25"	1,750"		CAF22MP-20-125-6
2 x 1,5"	1,750"		CAF22MP-20-15-6
2 x 2"	2,300"		CAF22MP-20-20-6
2,5 x 1,5"	1,700"		CAF22MP-25-15-6
2,5 x 2"	1,700"		CAF22MP-25-20-6
2,5 x 2,5"	2,100"		CAF22MP-25-25-6
3 x 2"	2,000"		CAF22MP-30-20-6
3 x 2,5"	2,200"		CAF22MP-30-25-6
3 x 3"	2,200"		CAF22MP-30-30-6
4 x 1,5"	2,200"		CAF22MP-40-15-6
4 x 2"	2,200"		CAF22MP-40-20-6
4 x 2,5"	2,200"		CAF22MP-40-25-6
4 x 3"	2,200"		

Other diameters, threads and materials available on request.

**THERMOMETER CAPS, TRI-CLAMP® x NPTF, POLISHED # 7
MODEL THCL**

TRI-CLAMP®

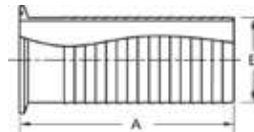


SIZE	DIMENSIONS as per diagram			SERIES # 23BMP Stainless Steel 316L
	A	B	C	
1"	0,625"	1,984"	1/4" NPTF	THCL100-25-316L
1"	0,625"	1,984"	1/2" NPTF	THCL100-50-316L
1,50"	0,625"	1,984"	1/4" NPTF	THCL150-25-316L
1,50"	0,625"	1,984"	1/2" NPTF	THCL150-50-316L
2,00"	0,625"	2,516"	1/4" NPTF	THCL200-25-316L
2,00"	0,625"	2,516"	1/2" NPTF	THCL200-50-316L
2,50"	0,625"	3,047"	1/4" NPTF	THCL250-25-316L
2,50"	0,625"	3,047"	1/2" NPTF	THCL250-50-316L
3,00"	0,625"	3,579"	1/4" NPTF	THCL300-25-316L
3,00"	0,625"	3,579"	1/2" NPTF	THCL300-50-316L
4,00"	0,625"	4,682"	1/4" NPTF	THCL400-25-316L
4,00"	0,625"	4,682"	1/2" NPTF	THCL400-50-316L

Other diameters available upon request.

**ADAPTERS, TRI-CLAMP® x HOSE BARB, 3A APPROVED
MODEL HB14MPHRL**

TRI-CLAMP®

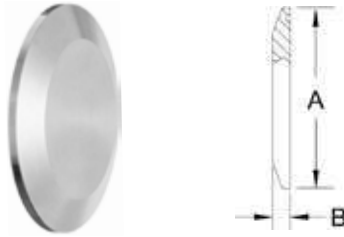


SIZE	DIMENSIONS as per diagram		SERIES # 14MPHRL Stainless Steel 316L
	OD	A	
1,00"	3,500"	1,030"	HB14MPHRL-100-6
1,50"	5,000"	1,530"	HB14MPHRL-150-6
2,00"	5,000"	2,030"	HB14MPHRL-200-6
2,50"	5,500"	2,530"	HB14MPHRL-250-6
3,00"	5,500"	3,030"	HB14MPHRL-300-6
4,00"	5,500"	4,030"	HB14MPHRL-400-6
6,00"	5,500"	6,00"	HB14MPHRL-600-6

Other diameters available upon request.

**SOLID END CAPS, POLISHED # 7, 3A APPROVED
MODEL CAP**

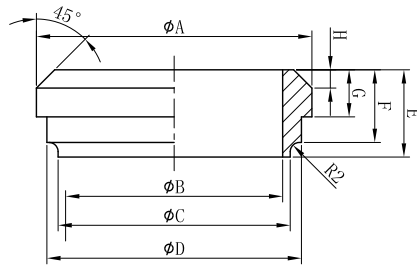
TRI-CLAMP®



SIZE	DIMENSIONS as per diagram		SERIES # 16AMP Stainless Steel 304	SERIES # 16AMP Stainless Steel 316L
	A	B	PART #	PART #
0,50" & 0,75"	0,992"	0,187"	CAP050-304	CAP050-316L
1,00" & 1,50"	1,984"	0,250"	CAP150-304	CAP150-316L
2,00"	2,516"	0,250"	CAP200-304	CAP200-316L
2,50"	3,047"	0,250"	CAP250-304	CAP250-316L
3,00"	3,579"	0,250"	CAP300-304	CAP300-316L
4,00"	4,682"	0,250"	CAP400-304	CAP400-316L
6,00"	6,570"	0,437"	CAP600-304	CAP600-316L
8,00"	8,600"	0,437"	CAP800-304	

Other diameters available upon request.

**SHORT PLAIN BEVEL SEAT WELD FERRULES, POLISHED #7, 3A APPROVED
MODEL 14PRF**

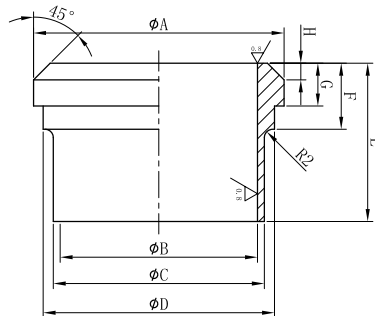
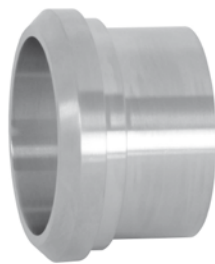


BEVEL

SIZE	DIMENSIONS as per diagram								SERIES # 14PRF Stainless Steel 304
OD	A	B	C	D	E	F	G	H	PART #
2,00"	2,374"	1,870"	2,000"	2,193"	0,752"	0,626"	0,406"	0,157"	SS14PRF-200-304
2,50"	2,906"	2,370"	2,500"	2,709"	0,878"	0,657"	0,437"	0,173"	SS14PRF-250-304
3,00"	3,437"	2,870"	3,000"	3,224"	0,909"	0,720"	0,469"	0,189"	SS14PRF-300-304
4,00"	4,500"	3,835"	4,000"	4,256"	1,031"	0,811"	0,563"	0,220"	SS14PRF-400-304

Other diameters and materials available upon request.

**LONG PLAIN BEVEL SEAT WELD FERRULES, POLISHED #7, 3A APPROVED
MODEL 14A**



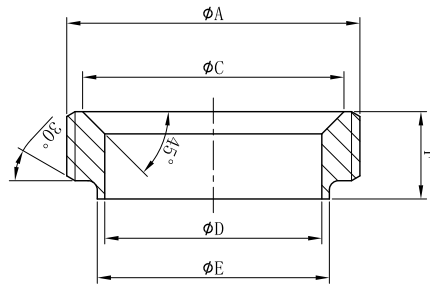
BEVEL

SIZE	DIMENSIONS as per diagram								SERIES # 14A Stainless Steel 304
OD	A	B	C	D	E	F	G	H	PART #
2,00"	2,374"	1,870"	2,000"	2,193"	1,500"	0,626"	0,405"	0,157"	SS14A-200-304
2,50"	2,906"	2,370"	2,500"	2,709"	1,752"	0,657"	0,437"	0,173"	SS14A-250-304
3,00"	3,437"	2,870"	3,000"	3,224"	1,752"	0,720"	0,469"	0,189"	SS14A-300-304

Other diameters and materials available upon request.

**SHORT THREADED BEVEL SEAT WELD FERRULES, POLISHED #7, 3A APPROVED
MODEL 15TRF**

BEVEL

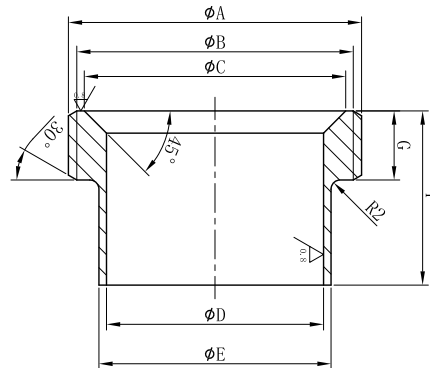


SIZE	DIMENSIONS as per diagram					SERIES # 15TRF Stainless Steel 304	
OD	A	C	D	E	F	PART #	
1,50"	1,994"	1,720"	1,374"	1,500"	0,720"	SS15TRF-150-304	
2,00"	2,526"	2,252"	1,870"	2,000"	0,752"	SS15TRF-200-304	
2,50"	3,058"	2,783"	2,370"	2,500"	0,874"	SS15TRF-250-304	
3,00"	3,590"	3,315"	2,870"	3,000"	0,909"	SS15TRF-300-304	
4,00"	4,695"	4,307"	3,835"	4,000"	1,031"	SS15TRF-400-304	

Other diameters and materials available upon request.

**LONG THREADED BEVEL SEAT WELD FERRULES, POLISHED #7, 3A APPROVED
MODEL 15A**

BEVEL

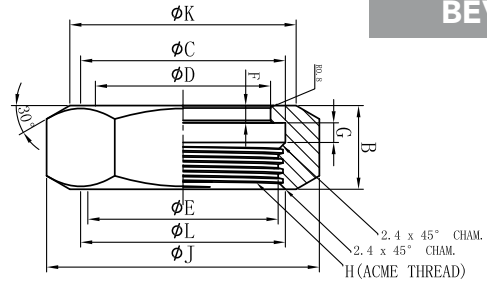
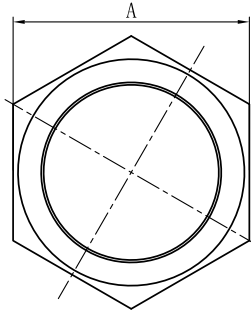


SIZE	DIMENSIONS as per diagram							SERIES # 15A Stainless Steel 304	
OD	A	B	C	D	E	F	G	PART #	
1,50"	1,994"	1,850"	1,720"	1,370"	1,500"	1,500"	0,563"	SS15A-150-304	
2,00"	2,526"	2,382"	2,252"	1,870"	2,000"	1,500"	0,594"	SS15A-200-304	
2,50"	3,058"	2,913"	2,783"	2,370"	2,500"	1,752"	0,720"	SS15A-250-304	
3,00"	3,590"	3,445"	3,315"	2,870"	3,000"	1,752"	0,752"	SS15A-300-304	

Other diameters and materials available upon request.

**BEVEL SEAT UNION HEX NUT, POLISHED #7, 3A APPROVED
MODEL 13H**

BEVEL



SIZE	DIMENSIONS as per diagram											SERIES # 13H Stainless Steel 304	
	OD	A	B	C	D	E	F	G	H	J	K	L	PART #
1,50"	2,406"	0,969"	2,079"	1,709"	1,884"	0,220"	0,250"	8T	2,780"	2,281"	2,030"	BS13H-150-304	
2,00"	3,000"	1,063"	2,600"	2,224"	2,417"	0,220"	0,250"	8T	3,465"	2,874"	2,561"	BS13H-200-304	
2,50"	3,595"	1,189"	3,142"	2,740"	2,949"	0,220"	0,250"	8T	4,150"	3,469"	3,094"	BS13H-250-304	
3,00"	4,189"	1,281"	3,675"	3,256"	3,496"	0,250"	0,250"	8T	4,835"	4,063"	3,626"	BS13H-300-304	
4,00"	5,421"	1,500"	4,780"	4,287"	4,543"	0,250"	0,377"	6T	6,260"	5,280"	4,728"	BS13H-400-304	

Other diameters and materials available upon request.

CAMLOCK COUPLINGS, TYPE A MODEL CAMA

CAMLOCK



SIZE	DIMENSIONS as per diagram			SERIES CAMA Stainless Steel 304	SERIES CAMA Stainless Steel 316L
OD	T	H	D	PART #	PART #
0,5"	0,976"	1,346"	0,591"		CAMA-050-6L
0,75"	1,272"	1,551"	0,819"		CAMA-075-6L
1,00"	1,504"	1,772"	1,000"		CAMA-100-6L
1,25"	1,890"	2,106"	1,220"		CAMA-125-6L
1,50"	2,114"	1,988"	1,575"		CAMA-150-6L
2,00"	2,583"	2,236"	1,890"		CAMA-200-6L
2,50"	3,217"	2,795"	2,362"		
3,00"	3,724"	2,756"	3,059"		CAMA-300-6L
4,00"	4,764"	2,717"	4,106"		CAMA-400-6L

Other diameters and materials available on request.

CAMLOCK COUPLINGS, TYPE B MODEL CAMB

CAMLOCK

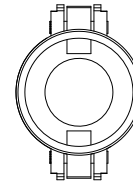
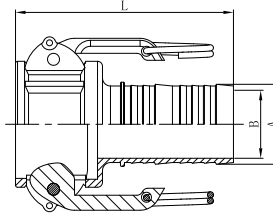


SIZE	DIMENSIONS as per diagram				SERIES CAMB Stainless Steel 304	SERIES CAMB Stainless Steel 316L
OD	E	T	H	D	PART #	PART #
0,5"	1,673"	1,130"	1,752"	0,571"		CAMB-050-6L
0,75"	2,047"	1,339"	1,988"	0,795"		CAMB-075-6L
1,00"	2,362"	1,496"	2,264"	0,984"		CAMB-100-6L
1,25"	2,933"	1,772"	2,571"	1,299"		CAMB-125-6L
1,50"	3,244"	1,748"	2,539"	1,614"		CAMB-150-6L
2,00"	3,622"	1,949"	2,783"	2,047"		CAMB-200-6L
2,50"	4,173"	2,047"	3,091"	2,575"		
3,00"	5,118"	2,165"	3,307"	2,953"		
4,00"	6,220"	2,205"	3,417"	4,016"		

EPDM gasket included.

Other diameters and materials available on request.

CAMLOCK COUPLINGS, TYPE C, 6 SHANKS MODEL CAMC



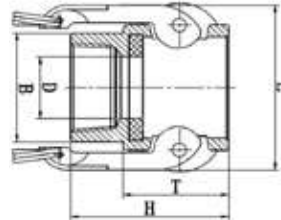
CAMLOCK

SIZE	DIMENSIONS as per diagram			SERIES CAMC Stainless Steel 304	SERIES CAMC Stainless Steel 316L
	OD	A	B	L	PART #
0,5"	0,551"	0,335"	2,776"		CAMC-050-6S-6L
0,75"	0,807"	0,571"	3,130"		CAMC-075-6S-6L
1,00"	1,063"	0,787"	3,701"		CAMC-100-6S-6L
1,25"	1,280"	1,043"	4,094"		CAMC-125-6S-6L
1,50"	1,575"	1,339"	4,291"		CAMC-150-6S-6L
2,00"	2,067"	1,831"	4,961"		CAMC-200-6S-6L
2,50"					
3,00"	3,070"	2,756"	5,709"		CAMC-300-6S-6L
4,00"					

EPDM gasket included.

Other diameters and materials available on request.

CAMLOCK COUPLINGS, TYPE D MODEL CAMD



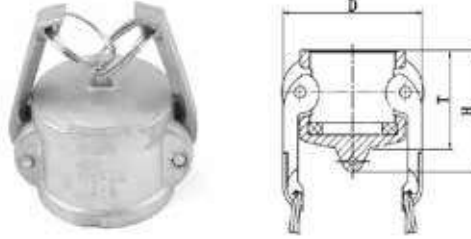
CAMLOCK

SIZE	DIMENSIONS as per diagram					SERIES CAMD Stainless Steel 304	SERIES CAMD Stainless Steel 316L
	OD	E	T	H	D	B	PART #
0,5"	1,673"	1,161"	1,752"	0,579"	1,004"		CAMD-050-6L
0,75"	2,047"	1,339"	1,929"	0,768"	1,220"		CAMD-075-6L
1,00"	2,390"	1,508"	2,303"	0,984"	1,457"		CAMD-100-6L
1,25"	2,913"	1,772"	2,480"	1,181"	1,831"		CAMD-125-6L
1,50"	3,287"	1,764"	2,598"	1,555"	2,071"		CAMD-150-6L
2,00"	3,661"	1,969"	2,835"	1,929"	2,512"		CAMD-200-6L
2,50"	4,331"	2,047"	3,150"	2,244"	3,150"		
3,00"	5,236"	2,185"	3,287"	2,992"	3,701"		CAMD-300-6L
4,00"	6,339"	2,224"	3,465"	3,583"	4,724"		

EPDM gasket included.

Other diameters and materials available on request.

CAMLOCK COUPLINGS, TYPE DC MODEL CAMDC

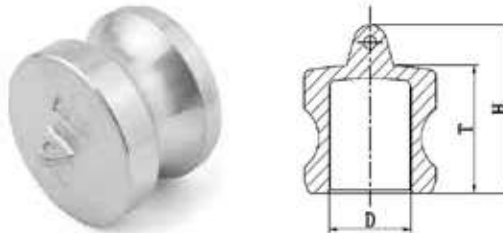


CAMLOCK

SIZE	DIMENSIONS as per diagram			SERIES CAMDC Stainless Steel 304	SERIES CAMDC Stainless Steel 316L
	OD	T	H	D	PART #
0,5"	1,299"	1,496"	1,673"		CAMDC-050-6L
0,75"	1,449"	1,811"	2,035"		CAMDC-075-6L
1,00"	1,732"	2,047"	2,362"		CAMDC-100-6L
1,25"	1,969"	2,283"	2,913"		CAMDC-125-6L
1,50"	1,969"	2,283"	3,209"		CAMDC-150-6L
2,00"	2,244"	2,598"	3,622"		CAMDC-200-6L
2,50"	2,343"	2,756"	4,114"		
3,00"	2,441"	2,835"	4,224"		CAMDC-300-6L
4,00"	2,480"	2,953"	6,043"		

EPDM gasket included.
Other diameters and materials available on request.

CAMLOCK COUPLINGS, TYPE DP MODEL CAMDP

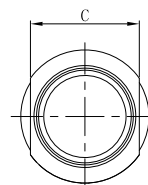
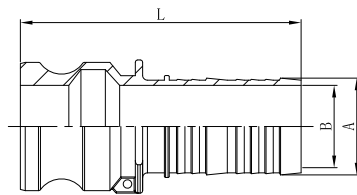


CAMLOCK

SIZE	DIMENSIONS as per diagram			SERIES CAMDP Stainless Steel 304	SERIES CAMDP Stainless Steel 316L
	OD	T	H	D	PART #
0,5"	1,083"	1,409"	0,610"		CAMDP-050-6L
0,75"	1,181"	1,496"	0,866"		CAMDP-075-6L
1,00"	1,358"	1,713"	1,024"		CAMDP-100-6L
1,25"	1,673"	2,008"	1,220"		CAMDP-125-6L
1,50"	1,732"	2,028"	1,496"		CAMDP-150-6L
2,00"	1,969"	2,362"	1,870"		CAMDP-200-6L
2,50"	1,969"	2,402"	2,362"		
3,00"	2,228"	2,677"	3,024"		CAMDP-300-6L
4,00"	2,303"	2,717"	4,055"		

Other diameters and materials available on request.

CAMLOCK COUPLINGS, TYPE E, 6 SHANKS MODEL CAME

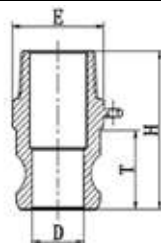


CAMLOCK

SIZE	DIMENSIONS as per diagram				SERIES CAME Stainless Steel 304	SERIES CAME Stainless Steel 316L
OD	A	B	C	L	PART #	PART #
0,5"	0,551"	0,335"	0,709"	2,953"		CAME-050-6S-6L
0,75"	0,807"	0,571"	0,945"	3,366"		CAME-075-6S-6L
1,00"	1,063"	0,787"	1,260"	3,976"		CAME-100-6S-6L
1,25"	1,280"	1,043"	1,457"	4,390"		CAME-125-6S-6L
1,50"	1,575"	1,339"	1,772"	4,567"		CAME-150-6S-6L
2,00"	2,067"	1,831"	2,126"	5,394"		CAME-200-6S-6L
2,50"						
3,00"	2,992"	2,736"	3,051"	6,062"		CAME-300-6S-6L
4,00"						

Other diameters and materials available on request.

CAMLOCK COUPLINGS, TYPE F MODEL CAMF



CAMLOCK

SIZE	DIMENSIONS as per diagram				SERIES CAMF Stainless Steel 304	SERIES CAMF Stainless Steel 316L
OD	E	H	D	T	PART #	PART #
0,5"	0,965"	2,008"	0,591"	1,083"		CAMF-050-6L
0,75"	1,260"	2,087"	0,846"	1,299"		CAMF-075-6L
1,00"	1,449"	2,433"	0,984"	1,299"		CAMF-100-6L
1,25"	1,799"	2,835"	1,220"	1,594"		CAMF-125-6L
1,50"	2,126"	2,933"	1,555"	1,614"		CAMF-150-6L
2,00"	2,500"	3,051"	1,909"	1,732"		CAMF-200-6L
2,50"	3,004"	3,524"	2,402"	1,890"		CAMF-250-6L
3,00"	3,583"	3,752"	2,965"	1,969"		CAMF-300-6L
4,00"	4,705"	3,996"	4,055"	2,008"		

Other diameters and materials available on request.

Sanitary / SS Valves & Related Products

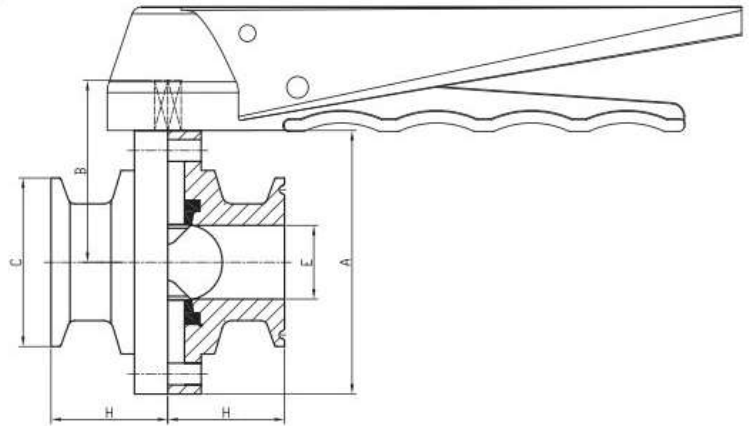


PITANCO
PRECISION

ISO 9001



**BUTTERFLY VALVES, TRI-CLAMP® 10 POSITION LOCKABLE TRIGGER HANDLE, CRN APPROVED
MODEL BV5101TH**



SIZE	DIMENSIONS AS PER DIAGRAM				
OD	A	B	C	E	H
1,00"	3,110"	1,949"	1,988"	0,870"	1,378"
1,50"	3,346"	2,067"	1,988"	1,370"	1,378"
2,00"	3,937"	2,362"	2,520"	1,870"	1,457"
2,50"	4,528"	2,657"	3,051"	2,370"	1,496"
3,00"	5,000"	2,894"	3,583"	2,870"	1,496"
4,00"	6,142"	3,465"	4,685"	3,843"	1,772"

Other sizes & face to face available on request.

SERIES # BV5101
Stainless Steel 316L

SIZE	EPDM	CLEAR SILICONE	RED SILICONE	FKM (VITON)
OD	PART #	PART #	PART #	PART #
1,00"	BV5101TH-E-10-6	BV5101TH-ST-10-6	BV5101TH-S-10-6	BV5101TH-F-10-6
1,50"	BV5101TH-E-15-6	BV5101TH-ST-15-6	BV5101TH-S-15-6	BV5101TH-F-15-6
2,00"	BV5101TH-E-20-6	BV5101TH-ST-20-6	BV5101TH-S-20-6	BV5101TH-F-20-6
2,50"	BV5101TH-E-25-6	BV5101TH-ST-25-6	BV5101TH-S-25-6	BV5101TH-F-25-6
3,00"	BV5101TH-E-30-6	BV5101TH-ST-30-6	BV5101TH-S-30-6	BV5101TH-F-30-6
4,00"	BV5101TH-E-40-6	BV5101TH-ST-40-6	BV5101TH-S-40-6	BV5101TH-F-40-6

SPECIFICATIONS

Information below based on water media at 68°F/20°C.

SIZE	BREAK TORQUE (IN/LB)			PRESSURE RATING (PSI)	FLOW COEFFICIENT (C _v)	WEIGHT (LB)
	SILICONE	EPDM	FKM			
1.00"	20	75	70	140	23	3,50
1.50"	40	130	125	140	80	3,10
2.00"	55	165	175	140	230	3,90
2.50"	70	210	220	110	264	4,90
3.00"	165	350	310	110	372	5,70
4.00"	350	540	450	85	800	7,80

SEATS FOR BUTTERFLY VALVE, FDA APPROVED



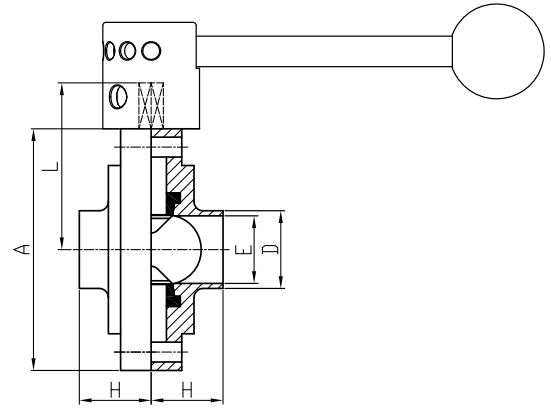
TEMPERATURE

- EPDM: -40/300°F (-40/149°C)
- Clear et Red silicone: -70/420°F (-56/216°C)
- FKM (viton): -10/700°F (-23/371°C)
- Special Silicone, upon request only: -95/220°F (-70/104°C)

SIZE	EPDM	CLEAR SILICONE	RED SILICONE	FKM (VITON)
OD	PART #	PART #	PART #	PART #
1,00"	SBV-E-100	SBV-ST-100	SBV-S-100	SBV-F-100
1,50"	SBV-E-150	SBV-ST-150	SBV-S-150	SBV-F-150
2,00"	SBV-E-200	SBV-ST-200	SBV-S-200	SBV-F-200
2,50"	SBV-E-250	SBV-ST-250	SBV-S-250	SBV-F-250
3,00"	SBV-E-300	SBV-ST-300	SBV-S-300	SBV-F-300
4,00"	SBV-E-400	SBV-ST-400	SBV-S-400	SBV-F-400

Other diameters available upon request.

**BUTTERFLY VALVES, BUTT WELD, 4 POSITION PULL HANDLE, CRN APPROVED
MODEL VP5101**



SIZE	DIMENSIONS AS PER DIAGRAM				
OD	A	D	E	L	H
1,00"	3,1102"	1,00"	0,8700"	1,9488"	0,9252"
1,50"	3,3465"	1,50"	1,3700"	2,0669"	0,9252"
2,00"	3,937"	2,00"	1,8700"	2,3622"	1,0236"
2,50"	4,5276"	2,50"	2,3425"	2,6575"	1,0630"
3,00"	5,000"	3,00"	2,8425"	2,8937"	1,1024"
4,00"	6,1417"	4,00"	3,8425"	3,4646"	1,1811"

Other sizes & face to face available on request.

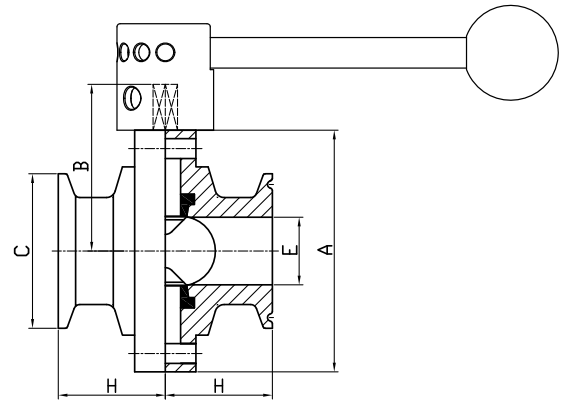
**SERIES # VP5101
Stainless Steel 304**

SIZE	EPDM	CLEAR SILICONE	RED SILICONE	FKM (VITON)
OD	PART #	PART #	PART #	PART #
1,00"	VP5101-E-10-4	VP5101-ST-10-4	VP5101-S-10-4	VP5101-F-10-4
1,50"	VP5101-E-15-4	VP5101-ST-15-4	VP5101-S-15-4	VP5101-F-15-4
2,00"	VP5101-E-20-4	VP5101-ST-20-4	VP5101-S-20-4	VP5101-F-20-4
2,50"	VP5101-E-25-4	VP5101-ST-25-4	VP5101-S-25-4	VP5101-F-25-4
3,00"	VP5101-E-30-4	VP5101-ST-30-4	VP5101-S-30-4	VP5101-F-30-4
4,00"	VP5101-E-40-4	VP5101-ST-40-4	VP5101-S-40-4	VP5101-F-40-4

**SERIES # VP5101
Stainless Steel 316L**

SIZE	EPDM	CLEAR SILICONE	RED SILICONE	FKM (VITON)
OD	PART #	PART #	PART #	PART #
1,00"	VP5101-E-10-6L	VP5101-ST-10-6L	VP5101-S-10-6L	VP5101-F-10-6L
1,50"	VP5101-E-15-6L	VP5101-ST-15-6L	VP5101-S-15-6L	VP5101-F-15-6L
2,00"	VP5101-E-20-6L	VP5101-ST-20-6L	VP5101-S-20-6L	VP5101-F-20-6L
2,50"	VP5101-E-25-6L	VP5101-ST-25-6L	VP5101-S-25-6L	VP5101-F-25-6L
3,00"	VP5101-E-30-6L	VP5101-ST-30-6L	VP5101-S-30-6L	VP5101-F-30-6L
4,00"	VP5101-E-40-6L	VP5101-ST-40-6L	VP5101-S-40-6L	VP5101-F-40-6L

**BUTTERFLY VALVES, TRI-CLAMP®, 4 POSITION PULL HANDLE, CRN APPROVED
MODEL VP5101CL**



SIZE	DIMENSIONS AS PER DIAGRAM				
OD	A	B	C	E	H
1,00"	3,1102"	1,9488"	1,9882"	0,8700	1,3780"
1,50"	3,3465"	2,0669"	1,9882"	1,3700	1,3780"
2,00"	3,9370"	2,3622"	2,5197"	1,8700"	1,4567"
2,50"	4,5276"	2,6575"	3,0512"	2,3700"	1,4960"
3,00"	5,000"	2,8937"	3,5827"	2,8700"	1,5354"
4,00"	6,1417"	3,4646"	4,6850"	3,8425"	1,7717"
6,00"	8,4646"	4,6654"	6,5669"	5,7795"	2,4800"

Other sizes & face to face available on request.

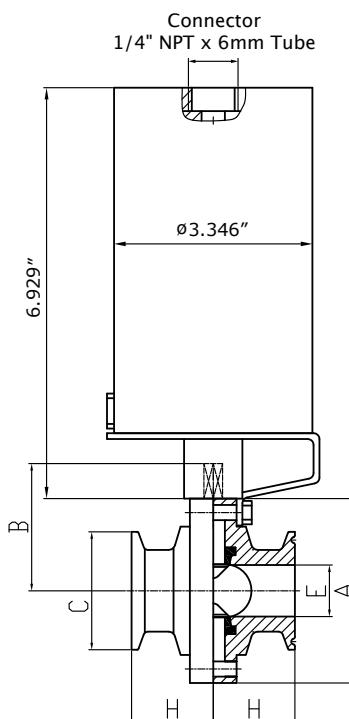
SERIES # VP5101CL
Stainless Steel 304

SIZE	EPDM	CLEAR SILICONE	RED SILICONE	FKM (VITON)
OD	PART #	PART #	PART #	PART #
1,00"	VP5101CL-E-10-4	VP5101CL-ST-10-4	VP5101CL-S-10-4	VP5101CL-F-10-4
1,50"	VP5101CL-E-15-4	VP5101CL-ST-15-4	VP5101CL-S-15-4	VP5101CL-F-15-4
2,00"	VP5101CL-E-20-4	VP5101CL-ST-20-4	VP5101CL-S-20-4	VP5101CL-F-20-4
2,50"	VP5101CL-E-25-4	VP5101CL-ST-25-4	VP5101CL-S-25-4	VP5101CL-F-25-4
3,00"	VP5101CL-E-30-4	VP5101CL-ST-30-4	VP5101CL-S-30-4	VP5101CL-F-30-4
4,00"	VP5101CL-E-40-4	VP5101CL-ST-40-4	VP5101CL-S-40-4	VP5101CL-F-40-4

SERIES # VP5101CL
Stainless Steel 316L

SIZE	EPDM	CLEAR SILICONE	RED SILICONE	FKM (VITON)
OD	PART #	PART #	PART #	PART #
1,00"	VP5101CL-E-10-6L	VP5101CL-ST-10-6L	VP5101CL-S-10-6L	VP5101CL-F-10-6L
1,50"	VP5101CL-E-15-6L	VP5101CL-ST-15-6L	VP5101CL-S-15-6L	VP5101CL-F-15-6L
2,00"	VP5101CL-E-20-6L	VP5101CL-ST-20-6L	VP5101CL-S-20-6L	VP5101CL-F-20-6L
2,50"	VP5101CL-E-25-6L	VP5101CL-ST-25-6L	VP5101CL-S-25-6L	VP5101CL-F-25-6L
3,00"	VP5101CL-E-30-6L	VP5101CL-ST-30-6L	VP5101CL-S-30-6L	VP5101CL-F-30-6L
4,00"	VP5101CL-E-40-6L	VP5101CL-ST-40-6L	VP5101CL-S-40-6L	VP5101CL-F-40-6L
6,00"		VP5101CL-ST-60-6L		

**BUTTERFLY VALVES, TRI-CLAMP®, WITH SINGLE ACTING CANISTER TYPE ACTUATOR, CRN APPROVED
MODEL SU30485SA**



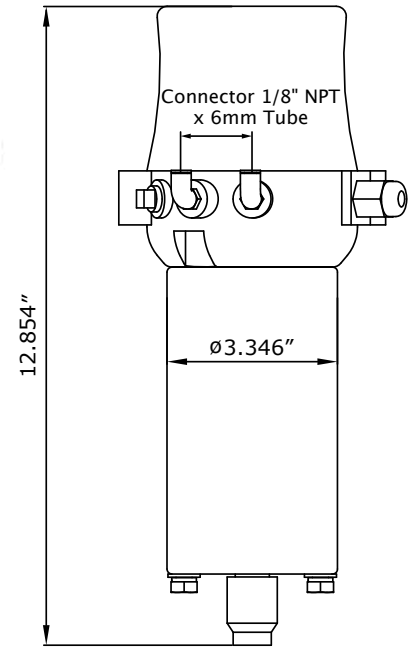
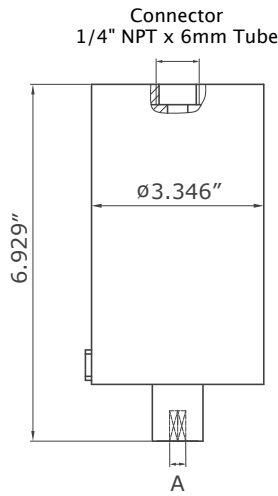
SIZE	DIMENSIONS AS PER DIAGRAM				
OD	A	B	C	E	H
1,00"	3,1102"	1,9488"	1,9882"	0,8700"	1,378"
1,50"	3,3465"	2,0669"	1,9882"	1,3700"	1,378"
2,00"	3,9370"	2,3622"	2,5197"	1,8700"	1,4567"
2,50"	4,5276"	2,6575"	3,0512"	2,3700"	1,4960"
3,00"	5,000"	2,8937"	3,5827"	2,8700"	1,5354"
4,00"	6,1417"	3,4646"	4,6850"	3,8425"	1,7717"

Other sizes & face to face available on request.

SERIES # BV5101CL/SU30485SA
Stainless Steel 316L

SIZE	EPDM	CLEAR SILICONE	RED SILICONE	FKM (VITON)
OD	PART #	PART #	PART #	PART #
1,00"	SU30485SA-10CLE	SU30485SA-10CLST	SU30485SA-10CLS	SU30485SA-10CLF
1,50"	SU30485SA-15CLE	SU30485SA-15CLST	SU30485SA-15CLS	SU30485SA-15CLF
2,00"	SU30485SA-20CLE	SU30485SA-20CLST	SU30485SA-20CLS	SU30485SA-20CLF
2,50"	SU30485SA-25CLE	SU30485SA-25CLST	SU30485SA-25CLS	SU30485SA-25CLF
3,00"	SU30485SA-30CLE	SU30485SA-30CLST	SU30485SA-30CLS	SU30485SA-30CLF
4,00"	SU30485SA-40CLE	SU30485SA-40CLST	SU30485SA-40CLS	SU30485SA-40CLF

SINGLE ACTING VERTICAL CANISTER ACTUATOR WITH OR WITHOUT POSITIONNER (WITHOUT VALVE)



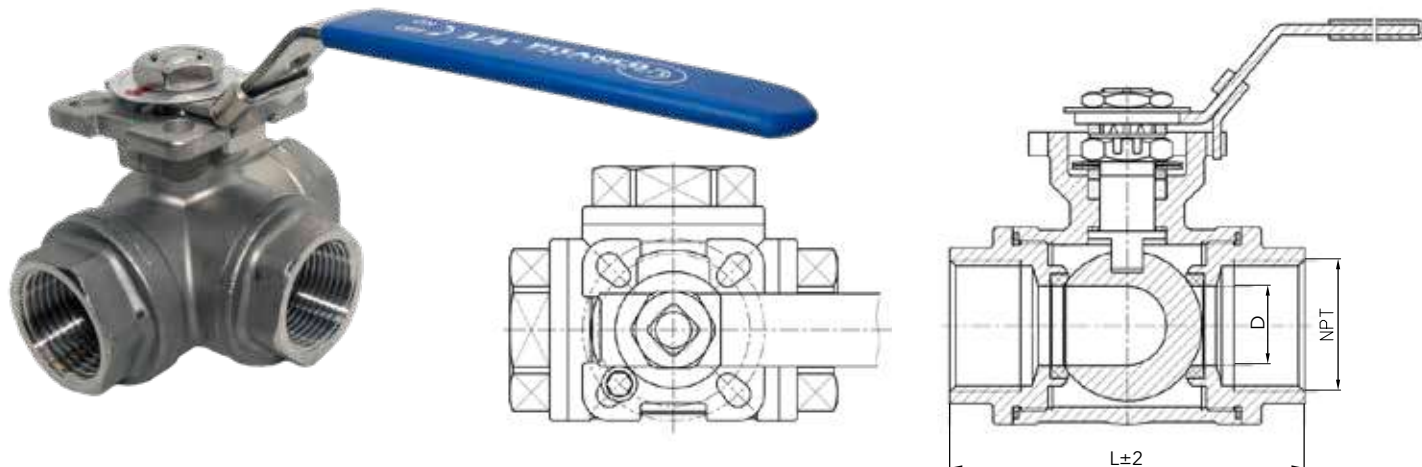
DESCRIPTION	DIMENSIONS A	PART #
Single acting canister for valves 1/2" @ 2"	8mm	SU304085SA-STYLE1
Single acting canister for valves 2,50" @ 4"	10mm	SU304085SA-STYLE2
Single acting canister for valves 1/2" @ 2" with positionner (2 limit switches)	8mm	SU304085SA-LS1
Single acting canister for valves 2,50" @ 4" with positionner (2 limit switches)	10mm	SU304085SA-LS2

MOUNTING BRACKET FOR BUTTERFLY VALVE & CANISTER TYPE ACTUATORS



SIZE	ISO	Stainless Steel
OD		PART #
1,00"	F05/F07	BR100-4
1,50"	F05/F07	BR150-4
2,00"	F05/F07	BR200-4
2,50"	F05/F07	BR250-4
3,00"	F05/F07	BR300-4
4,00"	F05/F07	BR400-4

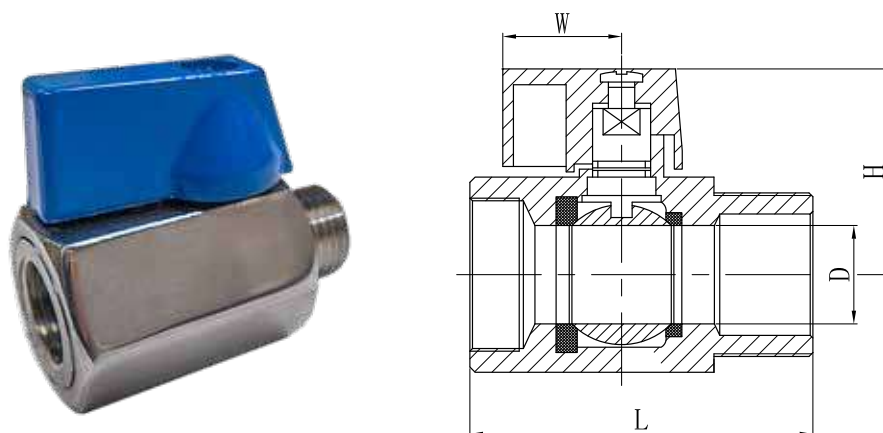
**3 WAY L PORT BALL VALVES, NPT, 1000 WOG, REDUCED PORT, LOCKABLE HANDLE, ISO MOUNT, CRN APPROVED
MODEL BV3W**



SIZE	DIMENSIONS as per diagram				SERIES # BV3W Stainless Steel 316L
OD	d	L	BREAK TORQUE Inch/lb	ISO 5211	PART #
0,50"	0,3937"	2,7953"	80	F03/F04	BV3W-050-316L
0,75"	0,5906"	3,3071"	100	F04/F05	BV3W-075-316L
1,00"	0,7087"	3,4646"	200	F04/F05	BV3W-100-316L
1,25"	0,9449"	4,6063"	315	F04/F05	BV3W-125-316L
1,50"	1,2598"	5,2559"	400	F05/F07	BV3W-150-316L
2,00"	1,4961"	5,7874"	550	F05/F07	BV3W-200-316L
2,50"	1,9291"	6,5354"	900	F07/F10	BV3W-250-316L
3,00"	2,5590"	9,4094"	1200	F07/F10	BV3W-300-316L

Other thread available on request.

**MINI BALL VALVES, NPTF x NPTM, 1000 WOG, CRN APPROVED
MODEL MBVSS25**



SIZE	DIMENSIONS as per diagram				SERIES # MBVSS25 Stainless Steel 304	SERIES # MBVSS25 Stainless Steel 316L
OD	L	D	H	W	PART #	PART #
0,25"	1,6535"	0,2756"	1,0236"	0,9055"	MBVSS25-4	MBVSS25-6L

Other thread available on request.

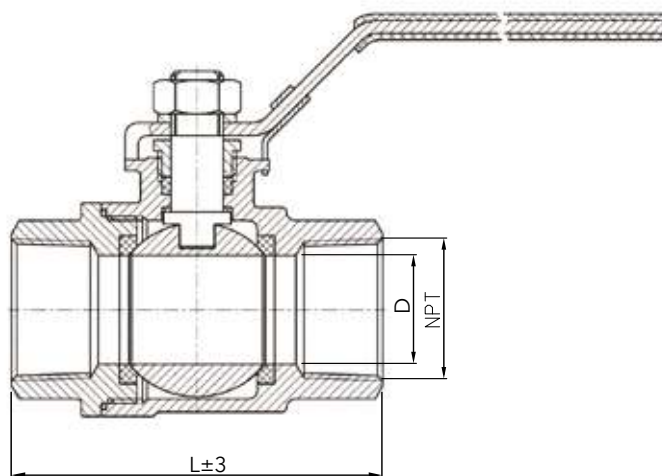
**BALL VALVES, NPT, 1000 WOG, FULL PORT, LOCKABLE HANDLE, CRN APPROVED
MODEL R600**



SERIES # R600



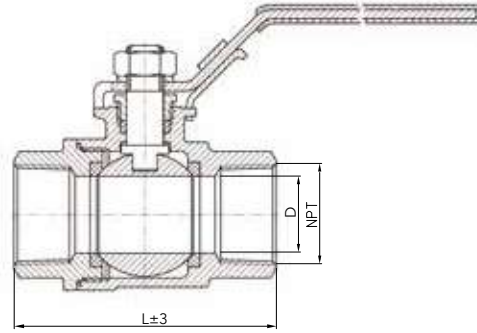
SERIES # R600HD



SIZE	DIMENSIONS as per diagram		SERIES # R600 Stainless Steel 304	SERIES # R600HD Stainless Steel 316L – HEAVY DUTY
	OD	D	L	PART #
0,25"	0,3937"	2,1654"	R600-0250-4	R600HD-0250-6L
0,375"	0,4724"	2,1654"	R600-0375-4	R600HD-0375-6L
0,50"	0,5906"	2,1654"	R600-0500-4	R600HD-0500-6L
0,75"	0,7874"	2,4409"	R600-0750-4	R600HD-0750-6L
1,00"	0,9843"	2,9528"	R600-1000-4	R600HD-1000-6L
1,25"	1,2598"	3,3661"	R600-1250-4	R600HD-1250-6L
1,50"	1,4961"	3,8189"	R600-1500-4	R600HD-1500-6L
2,00"	1,9291"	4,2126"	R600-2000-4	R600HD-2000-6L
2,50"	2,5197"	5,6693"	R600-2500-4	R600HD-2500-6L
3,00"	3,1102"	6,6535"	R600-3000-4	R600HD-3000-6L

Other thread available on request.

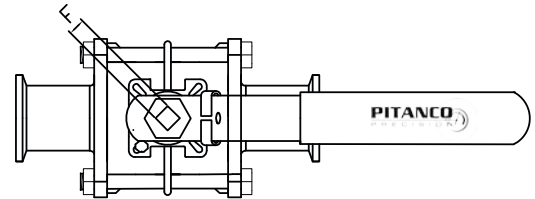
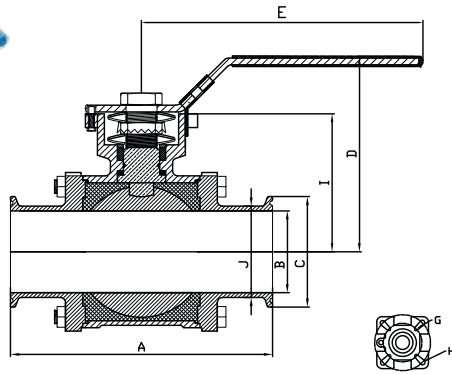
**BALL VALVES, NPT, 2000 WOG, FULL PORT, LOCKABLE HANDLE, CRN APPROVED
MODEL R602**



SIZE	DIMENSIONS as per diagram		SERIES # R602 Stainless Steel 304	SERIES # R602 Stainless Steel 316L
OD	D	L	PART #	PART #
0,25"	0,3937"	2,1062"	R602-0250-4	R602-0250-6
0,375"	0,4724"	2,1260"	R602-0375-4	R602-0375-6
0,50"	0,5906"	2,9528"	R602-0500-4	R602-0500-6
0,75"	0,7874"	3,1496"	R602-0750-4	R602-0750-6
1,00"	0,9843"	3,5039"	R602-1000-4	R602-1000-6
1,25"	1,2598"	4,252"	R602-1250-4	R602-1250-6
1,50"	1,4961"	4,6850"	R602-1500-4	R602-1500-6
2,00"	1,9291"	5,4724"	R602-2000-4	R602-2000-6
2,50"	2,5590"	6,378"	R602-2500-4	R602-2500-6
3,00"	3,1102"	6,6929"	R602-3000-4	R602-3000-6

Other diameters available upon request.

**BALL VALVES, 3 PIECES, TRI-CLAMP®, ENCAPSULATED, 1,000 WOG, FULL PORT, ISO MOUNT, 3A APPROVED, CRN APPROVED
MODEL R801CL**



SIZE	DIMENSIONS AS PER DIAGRAM										SERIES # R801CL Stainless Steel 316L	
OD	A	B	C	D	E	F	G	H	I	J	BREAK TORQUE Inch/lb	PART #
0,50"	0,370"	1,004"	3,563"	2,520"	5,157"	9mm		F04	1,457"	0,590"	80	R801CL-050-6L
0,75"	0,620"	1,004"	4,071"	2,677"	5,157"	9mm		F04	1,693"	0,748"	85	R801CL-075-6L
1,00"	0,870"	1,988"	4,496"	3,386"	6,654"	11mm		F05	2,008"	1,142"	120	R801CL-100-6L
1,50"	1,370"	1,988"	5,382"	4,823"	8,386"	14mm		F07	2,795"	1,535"	230	R801CL-150-6L
2,00"	1,870"	2,520"	6,031"	4,823"	8,386"	17mm		F07	3,110"	2,126"	450	R801CL-200-6L
2,50"	2,370"	3,051"	6,587"	5,492"	8,386"	17mm		F07	3,700"	2,638"	600	R801CL-250-6L
3,00"	2,870"	3,583"	7,571"	6,496"	12,598"	27mm	F07	F10	4,311"	3,110"	1050	R801CL-300-6L

Other sizes available upon request.

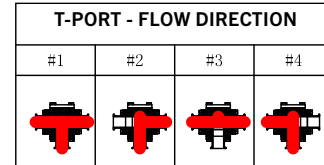
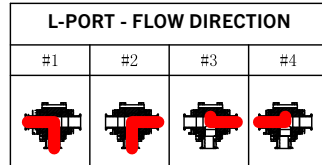
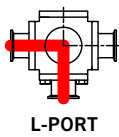
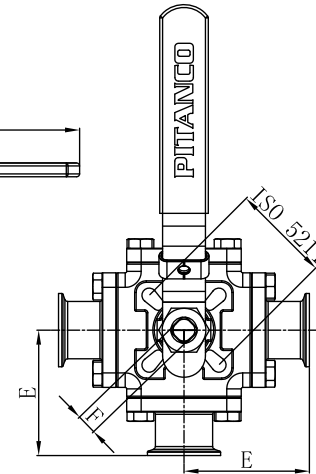
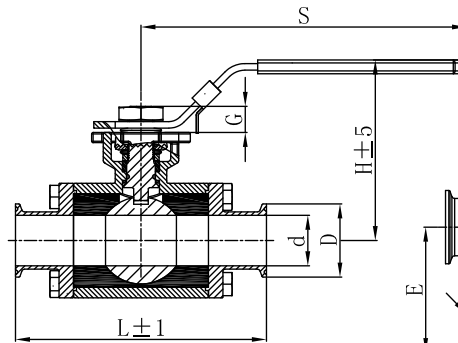
**PTFE (TEFLON) SEATS REPLACEMENT KIT, FDA APPROVED
MODEL RKR801**



SIZE	FOR BALL VALVE R801CL (ENCAPSULATED)
OD	PART #
0,50"	RKR801-050-PTFE
0,75"	RKR801-075-PTFE
1,00"	RKR801-100-PTFE
1,25"	RKR801-125-PTFE
1,50"	RKR801-150-PTFE
2,00"	RKR801-200-PTFE
2,50"	RKR801-250-PTFE
3,00"	RKR801-300-PTFE

Other sizes available upon request.

**3 WAY BALL VALVES, TRI-CLAMP®, ENCAPSULATED, 1,000 WOG, T OR L PORT, FULL PORT, LOCKABLE HANDLE, ISO MOUNT, 3A APPROVED, CRN APPROVED
MODEL DR801CL**



SIZE	DIMENSIONS AS PER DIAGRAM										SERIES # DR801CL Stainless Steel 316L
OD	L ±0.5	d ±0.1	D ±0.1	E ±0.5	F -0.1	H ±5	S ±5	G ±1	BREAK TORQUE Inch/lb	ISO 5211	PART #
0,50"	4,173"	0,370"	0,992"	2,087"	9mm	3,504"	6,654"	12mm	90	F04	DR801CL-050-6L-(*)
0,75"	4,173"	0,620"	0,992"	2,087"	9mm	3,504"	6,654"	12mm	100	F04	
1,00"	6,299"	0,870"	1,988"	3,150"	11mm	4,016"	6,654"	14mm	200	F05	DR801CL-100-6L-(*)
1,50"	7,205"	1,370"	1,988"	3,602"	14mm	5,000"	8,386"	19mm	410	F07	DR801CL-150-6L-(*)
2,00"	8,504"	1,870"	2,520"	4,252"	17mm	5,472"	8,386"	19mm	700	F07/F10	DR801CL-200-6L-(*)
2,50"	9,488"	2,370"	3,051"	4,744"	17mm	6,524"	8,386"	20mm	1300	F07/F10	
3,00"	9,488"	2,870"	3,583"	5,502"	27mm	6,693"	12,598"	26mm	2200	F10/F12	DR801CL-300-6L-(*)
4,00"	12,756"	3,835"	4,685"	6,378"	27mm	7,598"	12,598"	26mm	2500	F10/F12	

Other sizes available upon request.

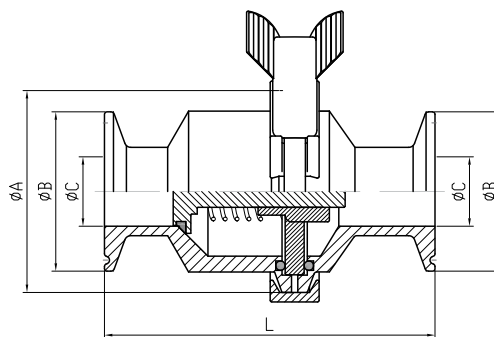
* = L or T Port.

**PTFE (TEFLON) SEATS REPLACEMENT KIT, FDA APPROVED
MODEL RKDR801**

SIZE	FOR BALL VALVE DR801CL (ENCAPSULATED)
OD	PART #
0,50"	RKDR801-050-PTFE
0,75"	
1,00"	RKDR801-100-PTFE
1,50"	RKDR801-150-PTFE
2,00"	RKDR801-200-PTFE
2,50"	
3,00"	RKDR801-300-PTFE

Other sizes available upon request.

**CHECK VALVE, TRI-CLAMP®, POLISHED # 7, 3A APPROVED, WITH EPDM BLACK SEAT
MODEL CLCV**



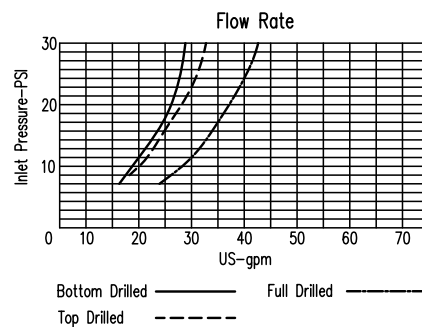
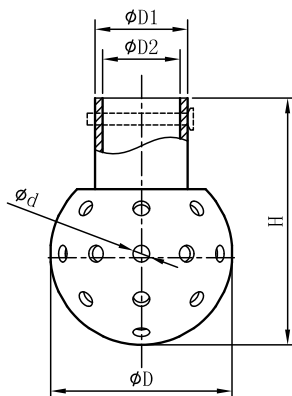
SPECIFICATIONS

- 15 / 200°F
- 140 PSI maximum
- Black EPDM seat
- Horizontal mount only

SIZE		DIMENSIONS as per diagram				SERIES # CLCV Stainless Steel 316L	
OD	A	B	C	L	CRACKING PRESSURE (PSI)	PART #	
0,50"	1,9881"	0,9843"	0,3740"	3,5000"	2,6	CLCV-050-316L	
0,75"	2,5197"	0,9843"	0,6220"	3,5000"	2,6	CLCV-075-316L	
1,00"	2,5197"	1,9882"	0,8700"	4,1260"	3,6	CLCV-100-316L	
1,50"	3,0518"	1,9882"	1,3700"	4,5630"	3,6	CLCV-150-316L	
2,00"	3,5827"	2,5197"	1,8700"	5,0630"	3,6	CLCV-200-316L	
2,50"	4,1732"	3,0512"	2,3740"	5,3740"	3,6	CLCV-250-316L	
3,00"	4,6850"	3,5827"	2,8740"	6,1260"	4,3	CLCV-300-316L	
4,00"	5,6890"	4,6850"	3,8425"	8,1260"	4,3	CLCV-400-316L	
6,00"	8,5433"	6,5669"	5,7795"	10,1575"	4,7	CLCV-600-316L	

Other diameters and seat material available on request.

FIXED SPRAY BALLS, 180° DOWN, 180° UP OR 360° MODEL BSTC



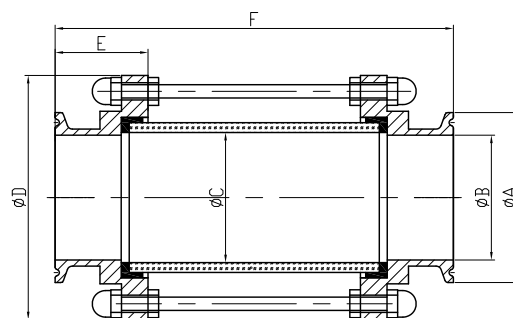
SIZE	SPRAY COVERAGE	DIMENSIONS as per diagram					SERIES # STC Stainless Steel 316L
OD		D	D1	D2	H	d	PART #
1,00"	180° Down	2,078"	1,000"	0,870"	2,598"	0,079"	BSTC-10-180BT-6
1,50"		2,96"	1,500"	1,370"	3,346"	0,087"	BSTC-15-180BT-6
1,00"	180° Up	2,078"	1,000"	0,870"	2,598"	0,079"	BSTC-10-180TOP-6
1,50"		2,96"	1,500"	1,370"	3,346"	0,087"	BSTC-15-180TOP-6
1,00"	360°	2,078"	1,000"	0,870"	2,598"	0,079"	BSTC-10-360-6
1,50"		2,96"	1,500"	1,370"	3,346"	0,087"	BSTC-15-360-6

Other diameters available upon request.

SIGHT GLASS, TRI-CLAMP®, POLISHED # 7, WITH EPDM BLACK SEAT MODEL SG

SPECIFICATIONS

- 5 mm glass
- 200°F maximum
- 87 PSI maximum
- Black EPDM seat



SIZE	DIMENSIONS as per diagram						SERIES # B28W Stainless Steel 316L	REPAIR KIT Includes Borosilicate glass and 2 black EPDM seats
OD	A	B	C	D	E	F	PART #	PART #
1,00"	1,988"	0,870"	0,9449"	3,1102"	1,378"	5,6299"	SG100CL-6L	RKSG-100-EPDM
1,50"	1,988"	1,370"	1,378"	3,3465"	1,378"	5,7480"	SG150CL-6L	RKSG-150-EPDM
2,00"	2,5197"	1,870"	1,9685"	4,1339"	1,4567"	5,9055"	SG200CL-6L	RKSG-200-EPDM
3,00"	3,5827"	2,870"	2,9528"	4,9213"	1,5354"	6,1417"	SG300CL-6L	RKSG-300-EPDM

Other diameters and seat material available on request.

Tubing and Accessories



**STAINLESS STEEL TUBING, ANNEALED, LENGTH OF 20', 3A APPROVED
MODEL A270**

SURFACE FINISH

· 32 RA OD / 20 RA ID



TUBE	GAUGE	WALL THICKNESS	SERIES # A270 Stainless Steel 304	SERIES # A270 Stainless Steel 316L
OD			PART #	PART #
0,50"	16	0,065"	A270-050-4**	A270-050-6L**
0,75"	16	0,065"	A270-075-4	A270-075-6L
1,00"	16	0,065"	A270-100-4	A270-100-6L
1,50"	16	0,065"	A270-150-4	A270-150-6L
2,00"	16	0,065"	A270-200-4	A270-200-6L
2,50"	16	0,065"	A270-250-4	A270-250-6L
3,00"	16	0,065"	A270-300-4	A270-300-6L
4,00"	14	0,083"	A270-400-4	A270-400-6L
6,00"	12	0,109"	A270-600-4	
8,00"	12	0,109"	A270-800-4	

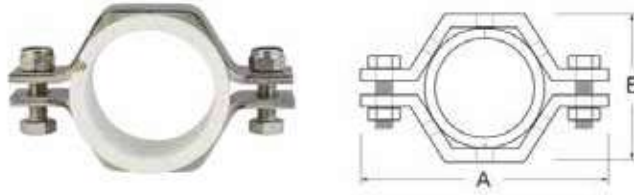
Other diameters available upon request.

**Not-Annealed

TUBING WEIGHTS & OPERATING PRESSURES

304 STAINLESS STEEL SIZE				316L STAINLESS STEEL SIZE			
TUBE	WEIGHT PER FOOT (LB)	WORKING PRESSURE (PSI)	BURST PRESSURE (PSI)	TUBE	WEIGHT PER FOOT (LB)	WORKING PRESSURE (PSI)	BURST PRESSURE (PSI)
0,50"	0,30	4870	19500	0,50"	0,30	3250	19500
0,75"	0,48	3250	13000	0,75"	0,48	2167	13000
1,00"	0,66	2440	9800	1,00"	0,66	2280	9100
1,50"	1,00	1630	6500	1,50"	1,00	1520	6100
2,00"	1,35	1220	4900	2,00"	1,35	1140	4600
2,50"	1,70	980	3900	2,50"	1,70	910	3600
3,00"	2,05	810	3300	3,00"	2,05	760	3000
4,00"	3,50	780	3100	4,00"	3,50	730	2900
6,00"	6,92	680	2720	6,00"	6,92	635	2540
8,00"	9,30	477	1907	8,00"	9,30	450	1810

HEXAGONAL SIZE HANGERS WITH WHITE PVC INSERT MODEL P24PS



MAXIMUM TEMPERATURE
· 230°F / 110°C

TUBE	DIMENSIONS as per diagram		SERIES # P24PS Stainless Steel 304
OD	A	B	PART #
0,50"	2,687"	2,000"	P24PS-0.50
0,75"	2,687"	1,562"	P24PS-0.75
1,00"	3,625"	2,125"	P24PS-1.00
1,50"	4,312"	2,625"	P24PS-1.50
2,00"	4,312"	3,125"	P24PS-2.00
2,50"	4,850"	3,125"	P24PS-2.50
3,00"	5,500"	4,250"	P24PS-3.00
4,00"	7,500"	5,625"	P24PS-4.00
6,00"	9,750"	7,375"	P24PS-6.00
8,00"	11,470"	8,150"	P24PS-8.00

Other diameters available upon request.